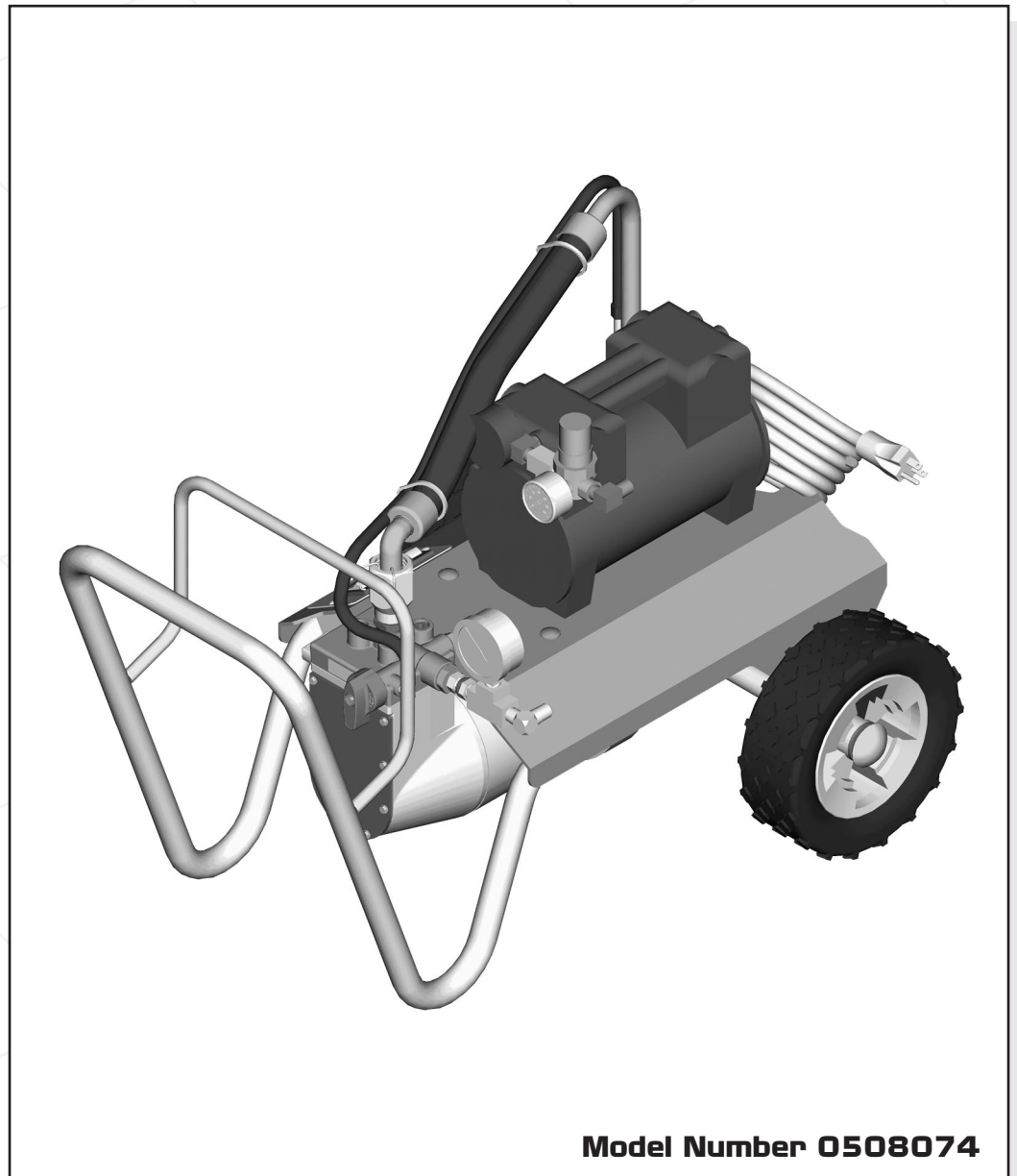


# ***AirCoat Spray System***

**Owner's Manual • Manuel de l'utilisateur • Manual del propietario**



**Model Number 0508074**

**CAPspray**<sup>®</sup>  
THE FINISHING TOOL™

**CAPSpray**  
1770 Fernbrook Lane  
Minneapolis, MN 55447

Technical Assistance: 1-800-292-4637

Order Entry: 1-800-443-4500

Fax: 1-800-525-9501

[www.spraytechinc.com](http://www.spraytechinc.com)

1203 © 2003 SprayTECH. All rights reserved. Form No. 0551366A

Español   Français   English

# Table of Contents

<b>Safety Precautions</b> .....	<b>2</b>
Grounding Instructions .....	3
<b>General Description</b> .....	<b>3</b>
<b>Setup</b> .....	<b>4</b>
<b>Operation</b> .....	<b>4</b>
Priming the Pump .....	4
Painting .....	5
Pressure Relief Procedure .....	6
<b>Spraying Technique</b> .....	<b>6</b>
<b>Cleanup</b> .....	<b>7</b>
Overnight Storage .....	7
Long Term Storage .....	7
<b>Maintenance</b> .....	<b>8</b>
Removing and Cleaning the Inlet Valve .....	8
Removing and Cleaning the Outlet Valve .....	8
<b>Troubleshooting</b> .....	<b>9</b>
<b>Parts List</b> .....	<b>28</b>
<b>Warranty</b> .....	<b>36</b>

## Safety Precautions

This manual contains information that must be read and understood before using the equipment. When you come to an area that has one of the following symbols, pay particular attention and make certain to heed the safeguard.



This symbol indicates a potential hazard that may cause serious injury or loss of life. Important safety information will follow.



This symbol indicates a potential hazard to you or to the equipment. Important information that tells how to prevent damage to the equipment or how to avoid causes of minor injuries will follow.

**NOTE:** Notes give important information which should be given special attention.



The diaphragm pump is provided with a thermally protected automatic reset. If an overload occurs the thermally protected automatic reset disconnects the motor from the power supply.

- The motor will restart without warning when the protector automatically resets.
- Always disconnect the motor from the power supply before working on the equipment.
- When the thermally protected automatic reset disconnects the motor from the power supply, relieve pressure by turning the PRIME/SPRAY valve to PRIME.
- Turn the pump ON/OFF switch to OFF.

**NOTE:** The cause of the overload should be corrected before restarting. Refer to the Troubleshooting section.



**HAZARD:** Injection injury - A high pressure fluid stream produced by this equipment can pierce the skin and underlying tissues, leading to serious injury and possible amputation. See a physician immediately.

**DO NOT TREAT AN INJECTION INJURY AS A SIMPLE CUT!** Injection can lead to amputation. See a physician immediately.

The maximum operating range of the unit is 2800 PSI / 19 MPa fluid pressure.

### PREVENTION:

- NEVER aim the gun at any part of the body.
- NEVER allow any part of the body to touch the fluid stream. DO NOT allow body to touch a leak in the fluid hose.
- NEVER put hand in front of the gun. Gloves will not provide protection against an injection injury.
- ALWAYS lock gun trigger, shut pump off, and release all pressure before servicing, cleaning tip or guard, changing tip, or leaving unattended. Pressure will not be released by turning off the motor. The PRIME/SPRAY valve handle must be turned to PRIME to relieve the pressure. Refer to the PRESSURE RELIEF PRESSURE described in the pump manual.
- ALWAYS keep tip guard in place while spraying. The tip guard provides some protection but is mainly a warning device.
- ALWAYS remove the spray tip before flushing or cleaning the system.
- Paint hose can develop leaks from wear, kinking and abuse. A leak can inject material into the skin. Inspect the hose before each use.
- NEVER use a spray gun without a working trigger lock and trigger guard in place.
- All accessories must be rated at or above 2800 PSI / 19 MPa. This includes spray tips, guns, extensions, and hose.

### NOTE TO PHYSICIAN:

Injection into the skin is a traumatic injury. It is important to treat the injury as soon as possible. DO NOT delay treatment to research toxicity. Toxicity is a concern with some coatings injected directly into the blood stream. Consultation with a plastic surgeon or reconstructive hand surgeon may be advisable.

**HAZARD:** EXPLOSION AND FIRE - Solvent and paint fumes can explode or ignite. Severe injury and/or property damage can occur.

### PREVENTION:

- Provide extensive exhaust and fresh air introduction to keep the air within the spray area free from accumulation of flammable vapors.
- Avoid all ignition sources such as static electricity sparks, electrical appliances, flames, pilot lights, hot objects, and sparks from connecting and disconnecting power cords or working light switches.
- Do not smoke in spray area.
- Fire extinguisher must be present and in good working order.
- Place pump at least 20 feet (6.1 m) from the spray object in a well ventilated area (add more hose if necessary). Flammable vapors are often heavier than air. Floor area must be extremely well ventilated. The pump contains arcing parts that emit sparks and can ignite vapors.
- The equipment and objects in and around the spray area must be properly grounded to prevent static sparks.
- Use only conductive or grounded high-pressure fluid hose. Gun must be grounded through hose connections.
- Power cord must be connected to a grounded circuit.

- Always flush unit into separate metal container, at low pump pressure, with spray tip removed. Hold gun firmly against side of container to ground container and prevent static sparks.
- Follow material and solvent manufacturer's warnings and instructions.
- Use extreme caution when using materials with a flashpoint below 70° F (21° C). Flashpoint is the temperature at which a fluid can produce enough vapors to ignite.
- Plastic can cause static sparks. Never hang plastic to enclose spray area. Do not use plastic drop cloths when spraying flammable materials.
- Use lowest possible pressure to flush equipment.

#### **GAS ENGINE (WHERE APPLICABLE)**

Always place unit outside of structure in fresh air. Keep all solvents away from engine exhaust. Never fill fuel tank with a running or hot engine. Hot surface can ignite spilled fuel. Always attach ground wire from pump to a grounded object. Refer to engine owner's manual for complete safety information.

**HAZARD: EXPLOSION HAZARD DUE TO INCOMPATIBLE MATERIALS - will cause severe injury or property damage.**

#### **PREVENTION:**

- Do not use materials containing bleach or chlorine.
- Do not use halogenated hydrocarbon solvents such as bleach, mildewcide, methylene chloride and 1,1,1 - trichloroethane. They are not compatible with aluminum.
- Contact your coating supplier about the compatibility of material with aluminum.

**HAZARD: HAZARDOUS VAPORS - Paints, solvents, insecticides, and other materials can be harmful if inhaled or come in contact with body. Vapors can cause severe nausea, fainting, or poisoning.**

#### **PREVENTION:**

- Use a respirator or mask if vapors can be inhaled. Read all instructions supplied with the mask to be sure it will provide the necessary protection.
- Wear protective eyewear.
- Wear protective clothing as required by coating manufacturer.

**HAZARD: GENERAL - Can cause severe injury or property damage.**

#### **PREVENTION:**

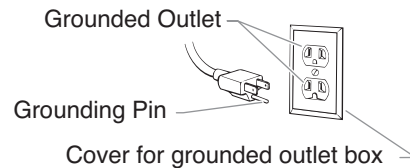
- Read all instructions and safety precautions before operating equipment.
- Follow all appropriate local, state, and national codes governing ventilation, fire prevention, and operation.
- The United States Government Safety Standards have been adopted under the Occupational Safety and Health Act (OSHA). These standards, particularly part 1910 of the General Standards and part 1926 of the Construction Standards, should be consulted.
- Use only manufacturer authorized parts. User assumes all risks and liabilities when using parts that do not meet the minimum specifications and safety devices of the pump manufacturer.
- Before each use, check all hoses for cuts, leaks, abrasion or bulging of cover. Check for damage or movement of couplings. Immediately replace hose if any of those conditions exist. Never repair a paint hose. Replace with a grounded high-pressure hose.
- All hoses, swivels, guns, and accessories must be pressure rated at or above 2800 PSI / 19 MPa.
- Do not spray outdoors on windy days.
- Wear clothing to keep paint off skin and hair.
- Always unplug cord from outlet before working on equipment.

## **Grounding Instructions**

This product must be grounded. In the event of an electrical short circuit, grounding reduces the risk of electric shock by providing an escape wire for the electric current. This product is equipped with a cord having a grounding wire with an appropriate grounding plug. The plug must be plugged into an outlet that is properly installed and grounded in accordance with all local codes and ordinances.

**DANGER** — Improper installation of the grounding plug can result in a risk of electric shock. If repair or replacement of the cord or plug is necessary, do not connect the green grounding wire to either flat blade terminal. The wire with insulation having a green outer surface with or without yellow stripes is the grounding wire and must be connected to the grounding pin.

Check with a qualified electrician or serviceman if the grounding instructions are not completely understood, or if you are in doubt as to whether the product is properly grounded. Do not modify the plug provided. If the plug will not fit the outlet, have the proper outlet installed by a qualified electrician.

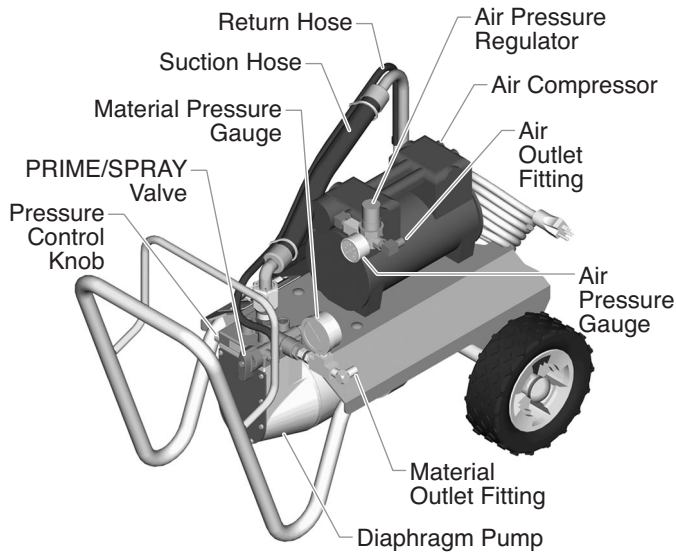


### **CAUTION**

Use only a 3-wire extension cord that has a 3-blade grounding plug and a 3-slot receptacle that will accept the plug on the product. Make sure your extension cord is in good condition. When using an extension cord, be sure to use one heavy enough to carry the current your product will draw. An undersized cord will cause a drop in line voltage resulting in loss of power and overheating. A 12 gauge cord is recommended. If an extension cord is to be used outdoors, it must be marked with the suffix W-A after the cord type designation. For example, a designation of SJTW-A would indicate that the cord would be appropriate for outdoor use.

# General Description

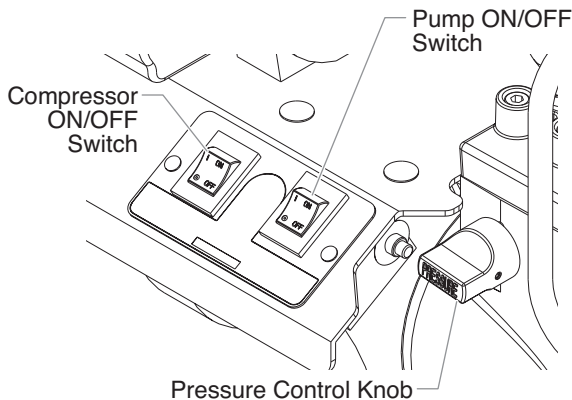
This fine finish spray system is versatile enough to use for low pressure fine finish work as well as high pressure airless spraying. The system includes a diaphragm paint pump and an air compressor that work together to provide this versatility.



# Setup

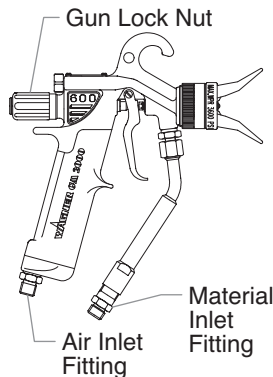
Use this procedure to set up the spray system.

1. Make sure the pump ON/OFF switch and the compressor ON/OFF switch are in the OFF position.



2. Make sure the pressure control knob is turned fully counterclockwise to its lowest pressure setting.
3. Lock the gun by turning the gun lock nut clockwise (when looking from the back of the gun) until it stops. This closes the material valve in the gun.

4. Using a wrench, attach a minimum of 50' of 1/4" nylon airless spray hose to the material outlet fitting on the pump. Tighten securely.
5. Attach the spray hose to the material inlet fitting on the spray gun. Using two wrenches (one on the gun and one on the hose), tighten securely.



## WARNING

Make sure all airless hoses and spray guns are electrically grounded and rated for at least 2800 PSI (19 MPa) fluid pressure.

6. Attach the air hose to the air outlet fitting on the compressor. Tighten securely.
7. Attach the air hose to the air inlet fitting on the spray gun. Tighten securely.

## WARNING

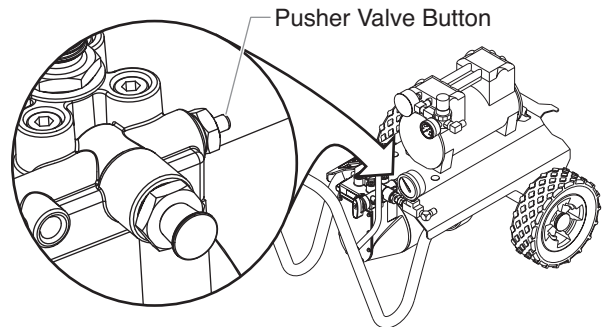
Reversing the hose connections could result in serious injury. Make sure the airless spray hose is connected from the diaphragm pump to the material inlet fitting on the gun and the air hose is connected from the compressor to the air inlet fitting on the gun.

8. Make sure the electrical service is 120V, 15 amp minimum.
9. Plug the power cord into a properly grounded outlet at least 25' from the spray area.

## CAUTION

Always use a minimum 12 gauge, three-wire extension cord with a grounded plug. Never remove the third prong or use an adapter.

10. Firmly press the pusher valve button on the side of the pump housing to make sure the outlet ball valve moves freely.



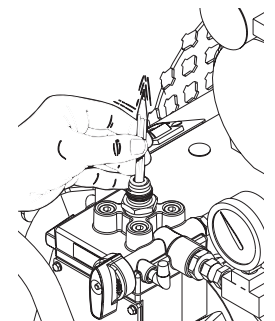
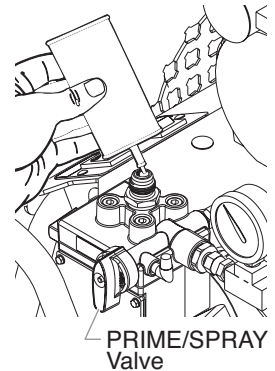
# Operation

Use the following procedures to operate the spray system.

## Priming the Pump

### Preparing to Prime

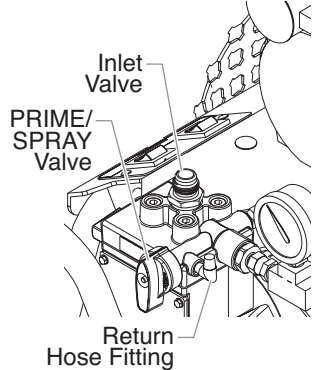
1. Fill the inlet valve with water or with a light household oil.
2. Make sure that the PRIME/SPRAY valve is set to PRIME and that the pressure control knob is turned counterclockwise to its lowest pressure setting.
3. Turn on the pump by moving the pump ON/OFF switch to the ON position.
4. Increase the pressure by turning the pressure control knob clockwise 1/2 turn.
5. Force the inlet valve to open and close by pushing on it with a screwdriver or the eraser end of a pencil. It should move up and down about 1/16 of an inch. Continue until water or oil is sucked into the pump. This will wet the moving parts and break loose any old paint residue.
6. Put the palm of your hand over the inlet. Turn the pressure control knob clockwise to its maximum setting. You should feel suction coming from the inlet valve. If you do not, refer to the "Removing and Cleaning the Outlet Valve" procedure in the Maintenance section.



- Turn the pressure control knob counterclockwise to the minimum pressure setting.
- Turn the pump ON/OFF switch to OFF.

### Priming

- Attach the suction set to the pump.
  - Thread the suction hose nut onto the inlet valve on the pump.
  - Thread the return hose onto the return hose fitting on the pump.



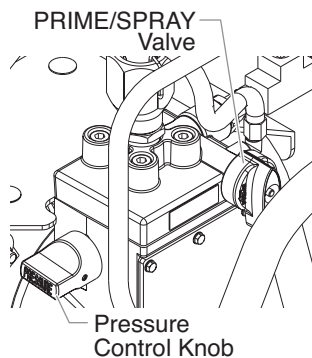
**NOTE: The pump can be used with the optional hopper accessory instead of the suction set.**

- Place the suction set into a container of paint.
- Turn the pressure control knob counterclockwise to the minimum pressure setting.

### CAUTION

Always reduce the pressure to zero before changing the position of the PRIME/SPRAY valve. Failure to do so may cause damage to the paint pump diaphragm.

- Turn the PRIME/SPRAY valve to PRIME.
- Move the pump ON/OFF switch to the ON position.
- Turn the pressure control knob clockwise to between half and full pressure. Let the unit prime 1 to 2 minutes after paint begins to flow through the return hose until no bubbles are present.
- Turn the pressure control knob counterclockwise to the minimum pressure setting.
- Move the pump ON/OFF switch to the OFF position.



### CAUTION

If the pressure control knob is reduced to zero and the PRIME/SPRAY valve is still on SPRAY while the pump is operating, there will be high pressure in the hose and spray gun until the PRIME/SPRAY valve is turned to PRIME or until the spray gun is triggered to relieve the pressure.

### Painting

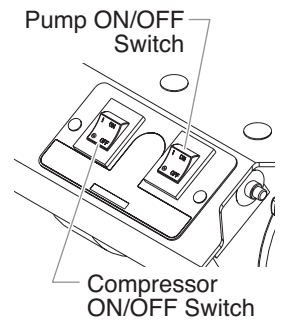
The AirCoat spray system has two different painting modes. The AirCoat mode is used for fine finish work with low to medium viscosity materials (oil, stains, lacquers, etc...). The airless mode is used for general painting with high viscosity materials (latex).

#### Painting in AirCoat Mode

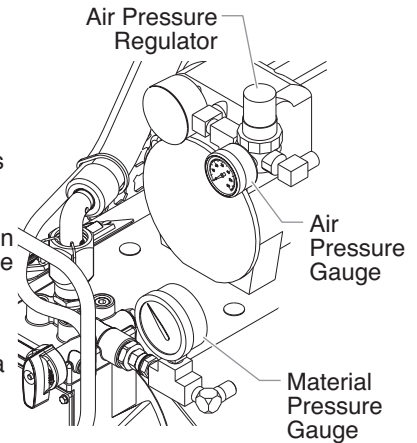
Use the AirCoat mode for low-pressure fine finish work (pump pressure up to 1000 PSI).

- Make sure that the airless spray hose is free of kinks and clear of objects with sharp cutting edges.
- Turn the pressure control knob counterclockwise to its lowest setting.
- Turn the compressor air pressure regulator counterclockwise to its lowest setting.

- Move the compressor ON/OFF switch to the ON position.
- Move the pump ON/OFF switch to the ON position.
- Turn the PRIME/SPRAY valve to SPRAY.
- Turn the pressure control knob clockwise until the material pressure gauge reads 400 PSI. The paint hose should stiffen as paint begins to flow through it.
- Turn the air pressure regulator clockwise until the air pressure gauge reads 20 PSI.



- Unlock the gun by turning the gun lock nut counterclockwise (when looking from the back of the gun) three full turns. This opens the material valve in the gun.
- Trigger the spray gun to bleed air out of the material hose.
- When material reaches the spray tip, spray a test area to check the spray pattern.
- Adjust the spray pattern to the desired size and atomization.
  - Use the pressure control knob to control the flow of paint to the gun.
  - Use the air pressure regulator to control the amount of atomization air available to the gun.
  - Use the pattern adjustment knob on the gun to fine tune the spray pattern.

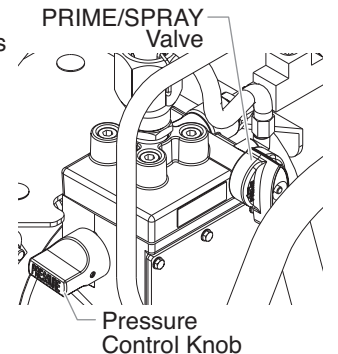


**NOTE: Refer to the spray gun Owner's Manual for information on the operation of the gun.**

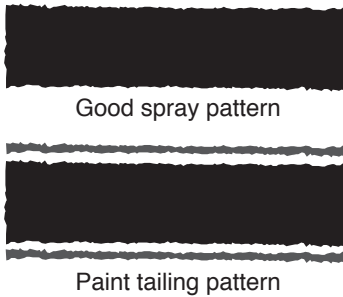
#### Painting in Airless Mode

Use the airless mode for general high-pressure spraying (pump pressure from 500 to 2000 PSI).

- Make sure that the airless spray hose is free of kinks and clear of objects with sharp cutting edges.
- Turn the pressure control knob counterclockwise to its lowest setting.
- Turn the PRIME/SPRAY valve to SPRAY.
- Move the pump ON/OFF switch to the ON position.
- Turn the pressure control knob clockwise to its highest setting. The paint hose should stiffen as paint begins to flow through it.
- Unlock the gun by turning the gun lock nut counterclockwise (when looking from the back of the gun) three full turns. This opens the material valve in the gun.
- Trigger the spray gun to bleed air out of the material hose.
- When material reaches the spray tip, spray a test area to check the spray pattern.



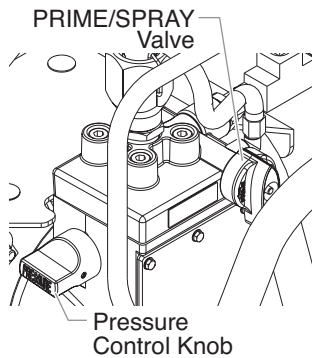
- Use the lowest pressure setting necessary to get a good spray pattern. If the pressure is set too high, the spray pattern will be too light. If the pressure is set too low, tailing will appear or the paint will spatter out in "gobs" rather than in a fine spray.



## Pressure Relief Procedure

Follow this procedure after the unit is assembled and before any operation that involves the spray gun such as cleaning and maintenance or changing tips or accessories.

- Turn the pressure control knob counterclockwise to its lowest setting.
- Turn the PRIME/SPRAY valve to the PRIME position.
- Trigger the gun to remove any pressure that still may be in the hose.
- Lock the gun by turning the gun lock nut clockwise (when looking from the back of the gun) until it stops. This closes the material valve in the gun.

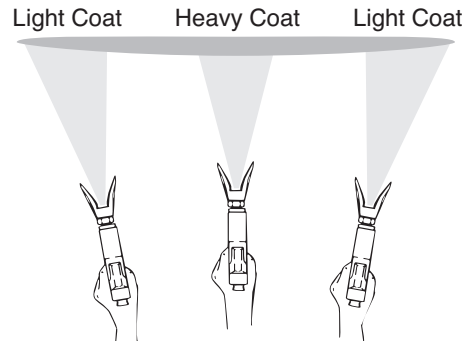


## WARNING

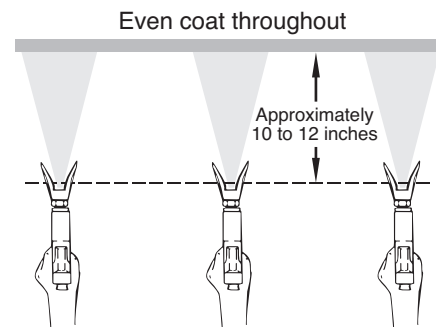
**Injection hazard. Do not spray without the tip guard in place. NEVER trigger the gun unless the tip is completely turned to either the spray or the unclog position. ALWAYS engage the gun trigger lock before removing, replacing or cleaning tip.**

## Spraying Technique

The key to a good paint job is an even coating over the entire surface. This is done by using even strokes. Keep your arm moving at a constant speed and keep the spray gun at a constant distance from the surface. The best spraying distance is 10 to 12 inches between the spray tip and the surface.

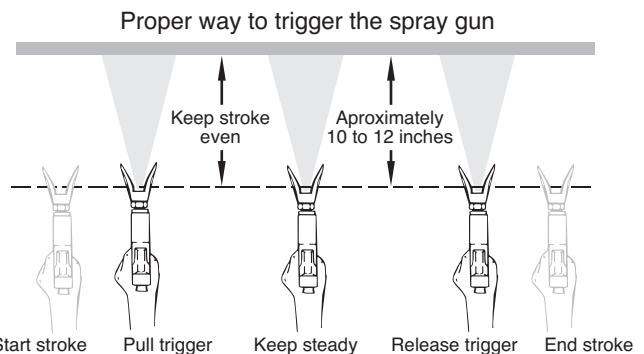


Keep the spray gun at right angles to the surface. This means moving your entire arm back and forth rather than just flexing your wrist.



Keep the spray gun perpendicular to the surface, otherwise one end of the pattern will be thicker than the other.

The spray gun should be triggered by turning it on and off with each stroke. This will save paint and avoid paint buildup at the end of the stroke. Do not trigger the gun during the middle of a stroke. This will result in an uneven spray and splotchy coverage.



Overlap each stroke by about 30%. This will ensure an even coating.

When you stop painting, lock the gun trigger lock, turn the pressure control knob counterclockwise to its lowest setting and set the priming knob to PRIME. Turn the motor switch to OFF and unplug the sprayer.

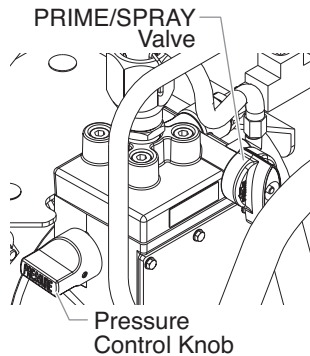
If you expect to be gone more than 1 hour, follow the short term clean up procedure described in the Clean up section of this manual.

# Cleanup

## Overnight Storage

### Shutdown

1. Turn the pressure control knob counterclockwise to the minimum setting.
2. Turn the PRIME/SPRAY valve to PRIME.
3. Move the pump ON/OFF switch to the OFF position.
4. Move the compressor ON/OFF switch to the OFF position.
5. Wait a couple seconds, then trigger the gun into the material container to release built up fluid pressure from the pump and air pressure from the compressor.
6. Lock the gun by turning the gun lock nut clockwise (when looking from the back of the gun) until it stops. This closes the material valve in the gun.
7. Unplug the unit.
8. For latex materials only, pour 1/2 cup water slowly on the top of the paint to prevent the paint from drying. For other materials, seal the material container keeping the return hose in the paint.
9. Wrap the spray gun assembly in a damp cloth and place it in a plastic bag. Seal the bag shut.
10. Place the unit in a safe place out of the sun for short-term storage.



### Startup

1. Remove the gun from the plastic bag.
2. Stir the water into the paint for latex materials. Remove the cover from the material container and stir the paint for all other materials.
3. Perform the appropriate procedure in the "Painting" section of this manual for the type of spraying that will be performed.

## Long-Term Storage

### ⚠ WARNING

**Do not allow paint to build up on the motor or the motor will overheat. Do not allow flammable solvents to come in contact with the motor or they could ignite.**

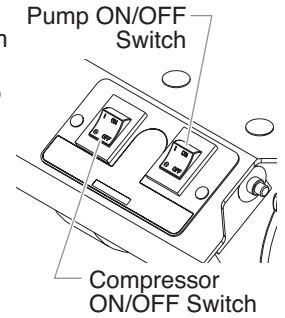
**NOTE:** If spraying with latex paint, use warm soapy water for cleaning. If using oil or alkyd-based paints, use mineral spirits or paint thinner.

### ⚠ CAUTION

**Do not use mineral spirits or paint thinner on latex paint, or the mixture will turn into a jelly-like substance which is difficult to remove.**

## Clearing the Suction Tube

1. Turn the pressure control knob counterclockwise to the minimum setting.
2. Turn the PRIME/SPRAY valve to PRIME.
3. Move the pump ON/OFF switch to the OFF position.
4. Move the compressor ON/OFF switch to the OFF position.
5. Wait a couple seconds, then trigger the gun into the material container to release built up fluid pressure from the pump and air pressure from the compressor.
6. Lock the gun by turning the gun lock nut clockwise (when looking from the back of the gun) until it stops. This closes the material valve in the gun.
7. Remove the suction hose from the material and hold it above a bucket of water or solvent. Leave the return hose in the material bucket.



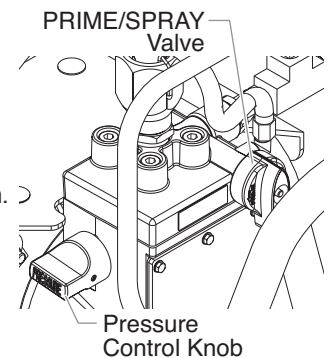
### ⚠ CAUTION

**Do not use mineral spirits or paint thinner on latex paint, the mixture will turn into a jelly-like substance that is difficult to remove.**

8. Move the pump ON/OFF switch to the ON position.
9. Turn the pressure control knob to 1/2 maximum pressure. This will draw the remaining material in the suction hose through the pump, down the return hose and into the material bucket.
10. Turn the pressure control knob counterclockwise to the minimum setting.
11. Remove the spray tip and guard and place them into a container of the appropriate solvent.
12. Place the attached suction hose and return hose into the container of water or appropriate solvent.
13. Increase the pressure to 1/2 the maximum pressure. Let the water or solvent circulate for 2-3 minutes to flush paint out of the pump, the suction hose and the return hose.

## Clearing the Paint Hose

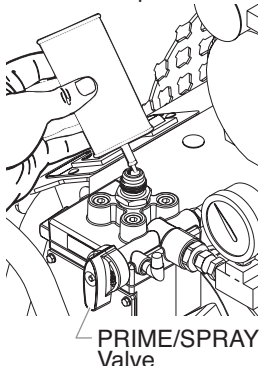
1. Turn the pressure control knob counterclockwise to the minimum pressure setting.
2. Turn the PRIME/SPRAY valve to SPRAY.
3. Unlock the gun by turning the gun lock nut counterclockwise (when looking from the back of the gun) three full turns. This opens the material valve in the gun.
4. Carefully trigger the gun with the spray tip removed against the inside of the material container.
5. Turn the pressure control knob slowly clockwise until material starts to flow into the container. As soon as the water or solvent starts to come into the container, release the trigger.
6. Change to clean water or solvent and continue circulating for another 5 minutes to thoroughly clean the hose, pump and spray gun.
7. Turn the pressure control knob counterclockwise to its lowest setting.
8. Turn the PRIME/SPRAY valve to PRIME.
9. Trigger the gun into the water or solvent container to release built up fluid pressure from the pump.



- Lock the gun by turning the gun lock nut clockwise (when looking from the back of the gun) until it stops. This closes the material valve in the gun.
- Move the pump ON/OFF switch to the OFF position.

### Final Cleanup

- Remove the suction set from the inlet valve.
- Clean the threads of the inlet valve with a damp cloth.
- Fill the inlet valve with water or with a light household oil.
- Make sure that the PRIME/SPRAY valve is set to PRIME and that the pressure control knob is turned counterclockwise to its lowest pressure setting.
- Turn on the pump by moving the pump ON/OFF switch to the ON position.
- Increase the pressure by turning the pressure control knob clockwise 1/2 turn.
- Turn the PRIME/SPRAY valve to SPRAY to distribute the oil.



**NOTE: Proper cleaning and oiling of the pump after use are the most important steps to perform to insure proper operation after storage.**

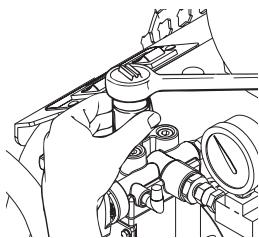
- Turn the pressure control knob counterclockwise to its lowest setting.
- Turn the PRIME/SPRAY valve to PRIME.
- Unlock and trigger the gun to remove any pressure that may still be in the hose.
- Lock the gun by turning the gun lock nut clockwise (when looking from the back of the gun) until it stops. This closes the material valve in the gun.
- Turn off the pump by moving the pump ON/OFF switch to the OFF position.
- Remove the material hose and air hose from the spray gun using two adjustable wrenches. Refer to the spray gun Owner's Manual for gun cleaning instructions.
- Wipe the entire unit, hose, and gun with a damp cloth to remove accumulated paint.

## Maintenance

Follow these procedures when encountering problems indicated in the troubleshooting section.

### Removing and Cleaning the Inlet Valve

- Perform the Pressure Relief Procedure, turn off and unplug the unit.
- Remove the inlet valve assembly using a 27 millimeter socket or box end wrench.
- Test movement of the valve by pushing on it from the open end of the valve housing with a screwdriver or the eraser end of a pencil. It should move about 1/16 of an inch. If it does not move, it should be cleaned or replaced.



**NOTE: The inlet valve must be oiled after every job. This will reduce or eliminate priming problems the next time the unit is used as well as extend the life of the valve.**



- Thoroughly clean the valve assembly with water or the appropriate solvent. Use a small brush.
- If the valve has been properly cleaned and water drips out of the bottom, the valve is worn and needs to be replaced. A properly seated valve filled with water and held vertically will not drip.
- Install a new or cleaned valve in the pump block and then fill the valve with light oil or solvent.

### Removing and Cleaning the Outlet Valve

It may be necessary to remove and clean the outlet valve or to replace parts inside the valve worn out through normal use.

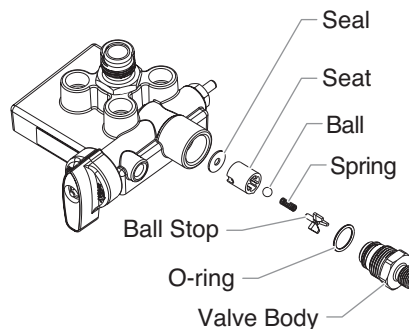
- Remove the outlet valve body with a wrench.
- Remove and clean the ball stop and small spring inside the valve using a wire hook or tweezers. Replace the spring if it is broken or worn.

**NOTE: This spring is manufactured to a very specific tension. Do not stretch the spring. Do not put in an unauthorized substitute. See the paint pump assembly parts diagram for the proper replacement part number. An extra spring is included in the literature set.**

- Remove the seat and ball assembly.
- Clean all parts thoroughly. If the ball or seat show any sign of wear or damage, replace them with new parts. This carbide ball must seal tightly against its seat for the valve to function properly.
- Cover all parts with a thin coat of light oil before reassembling.

**NOTE: Align the ridge on the seat with the groove in the pump housing when reassembling.**

- Drop in the valve ball.
- Insert the protector and spring and replace the valve body. Be sure that the O-ring is positioned properly and that the tongue on the cap fits inside the spring.
- Tighten the valve body securely with an adjustable wrench. Do not over-tighten.



**NOTE: Wear on the ball is almost impossible to detect visually. To test for a worn outlet valve assembly, turn the pressure control knob clockwise to its highest setting and run water only through the pump for 10 to 15 minutes without triggering the gun.**

If the valve is defective, the end cap will get very hot to the touch. If it is functioning properly, it will stay approximately the same temperature as the water running through it.



# Troubleshooting

## Problem

The unit does not start up.

## Cause

1. The unit is not plugged in.
2. The ON/OFF switch is set to OFF.
3. A fuse is blown in the unit.
4. Low or no voltage is coming from the wall plug.
5. The unit was turned off while still under pressure.
6. The extension cord is damaged or has too low a capacity.
7. The thermal overload on the unit is tripped.
8. There is a problem with the motor.

## Solution

1. Plug the unit in.
2. Turn the ON/OFF switch to ON.
3. Replace the blown fuse with the proper replacement.
4. Properly test the power supply voltage.
5. Turn the PRIME/SPRAY knob to PRIME.
6. Replace the extension cord.
7. Allow the motor to cool and move the unit to a cooler spot.
8. Take the unit to a SprayTECH Authorized Service Center.

The pump starts up but does not draw in paint when the PRIME/SPRAY valve is set to PRIME.

1. The pump will not prime properly or has lost prime.
2. The paint bucket is empty or the suction hose is not totally immersed in the paint.
3. The suction filter is clogged.
4. The suction hose is loose at the inlet valve.
5. The inlet valve is stuck.
6. The outlet valve is stuck.
7. The PRIME/SPRAY valve is plugged.
8. The inlet valve is worn or damaged.
9. There is a problem with the diaphragm.
10. The hydraulic oil level is low or empty.

1. Try to prime the pump again.
2. Immerse the suction hose in paint.
3. Clean the suction set filter.
4. Clean the tube connection and tighten it securely.
5. Clean the inlet valve.
6. Clean the outlet valve and replace any worn parts.
7. Take the unit to a SprayTECH Authorized Service Center.
8. Replace the inlet valve.
9. Take the unit to a SprayTECH Authorized Service Center.
10. Take the unit to a SprayTECH Authorized Service Center.

The pump draws up paint but the pressure drops when the gun is triggered.

1. The spray tip is worn.
2. The suction set filter is clogged.
3. The gun or spray tip filter is plugged.
4. The paint is too heavy or coarse.
5. The outlet valve assembly is dirty or worn.
6. The inlet valve assembly is damaged or worn.

1. Replace the spray tip with a new tip.
2. Clean the suction set filter.
3. Clean or replace the proper filter. Always keep extra filters on hand.
4. Thin or strain the paint.
5. Clean or replace the outlet valve assembly.
6. Replace the inlet valve.

The paint pattern is tailing.

1. The fluid pressure is set too low.
2. The air pressure is set too low.
3. The gun, the tip, or the suction filter is plugged.
4. The suction hose is loose at the inlet valve.
5. The tip is worn.
6. The paint is too thick.

1. Increase the fluid pressure.
2. Increase the air pressure.
3. Clean the filters.
4. Tighten the suction hose fitting.
5. Replace the spray tip.
6. Thin the paint.

The thermal overload tripped and shut off the pump.

1. The motor overheated.
2. The extension cord is too long or is too small a gauge.
3. Paint has built up on the motor.
4. The motor was started while the unit was under pressure.
5. The unit was sitting in the hot sun.

1. Allow to cool for 30 minutes.
2. Allow to cool for 30 minutes and replace the extension cord with a shorter extension or a thicker gauge cord.
3. Clean the paint from the motor.
4. Restart the unit in the PRIME mode.
5. Move the unit out of the sun.

Compressor does not start.

1. The compressor ON/OFF switch is in the OFF position.
2. Compressor ON/OFF switch is bad.
3. Compressor problem.
4. Relief hole under air regulator is blocked.

1. Move the compressor ON/OFF switch to the ON position.
2. Take the unit to a SprayTECH Authorized Service Center.
3. Take the unit to a SprayTECH Authorized Service Center.
4. Clean out the relief hole.

Compressor starts but not enough air.

1. Air regulator setting is too low.
2. Paint is too thick.
3. Closed air valve on gun.
4. Bad pressure relief valve.

1. Increase the air regulator setting.
2. Thin the paint.
3. Open the gun air valve. Refer to gun Owner's Manual.
4. Install a new pressure relief valve.

# Table des matières

Consignes de sécurité	10
Instructions de mise à la terre	11
Description générale	12
Installation	12
Fonctionnement	13
Amorçage de la pompe	13
Peinture	13
Procédure de limitation de la pression	14
Technique de pulvérisation	15
Nettoyage	15
Rangement pour la nuit	15
Rangement à long terme	15
Maintenance	17
Démontage et nettoyage de la soupape d'admission	17
Démontage et nettoyage de la soupape de sortie	17
Dépannage	18
Liste de pièces	28
Garantie Limitée	35

## Consignes de sécurité

Le présent manuel contient des renseignements à lire attentivement et à bien comprendre avant d'utiliser l'appareil. Lorsque l'un des symboles suivants apparaît, il est recommandé d'être particulièrement attentif et de tenir compte des mesures de sécurité indiquées.

### **AVERTISSEMENT**

Ce symbole indique un risque potentiel susceptible d'entraîner des blessures graves, voire mortelles. Des renseignements sur la sécurité sont également indiqués ci-après.

### **ATTENTION**

Ce symbole indique un risque potentiel pour l'utilisateur ou l'équipement. Vous trouverez ci-après des renseignements importants sur la manière d'éviter d'endommager l'équipement ou de provoquer des blessures superficielles.

**NOTA: Les remarques vous fournissent des renseignements importants auxquels il faut faire particulièrement attention.**

### **ATTENTION**

La pompe à diaphragme est dotée d'un dispositif de remise en marche automatique avec protection thermique. En cas de surcharge, ce dispositif débranche le moteur du bloc d'alimentation.

- Le moteur se remet en marche sans avertissement lorsque le protecteur est réarmé automatiquement.
- Débranchez toujours le moteur du bloc d'alimentation avant d'utiliser l'équipement.
- Lorsque le dispositif de remise en marche automatique débranche le moteur du bloc d'alimentation, libérez de la pression en tournant la soupape d'AMORÇAGE/PULVÉRISATION à la position AMORÇAGE.
- Placez l'interrupteur MARCHÉ/ARRÊT (ON/OFF) de la pompe en position ARRÊT (OFF).

**NOTA: Il faut remédier à la cause de la surcharge avant de faire redémarrer la pompe. Voir la section Dépannage.**

### **AVERTISSEMENT**

**DANGER : Blessures résultant d'une injection – Le jet à haute pression produit par cet équipement peut transpercer la peau et les tissus sous-jacents causant des blessures graves pouvant aller jusqu'à l'amputation. Consultez immédiatement un médecin.**

**N'ESSAYEZ PAS DE TRAITER UNE BLESSURE PAR INJECTION COMME UNE SIMPLE COUPURE! Les blessures par injection peuvent entraîner une amputation. Consultez immédiatement un médecin.**

**La pression de liquide maximale de fonctionnement du pistolet est de 2 800 PSI / 19 MPa.**

#### PRÉVENTION :

- NE dirigez JAMAIS le pistolet vers une partie du corps, quelle qu'elle soit.
- NE laissez JAMAIS une partie du corps entrer en contact avec le jet de liquide ni une fuite provenant du tuyau à fluide..
- NE placez JAMAIS vos mains devant le pistolet. Les gants ne constituent pas une protection suffisante contre les risques d'injection cutanée.
- Bloquez TOUJOURS la détente du pistolet, éteignez la pompe et libérez toute la pression avant de procéder à des opérations d'entretien, de nettoyage de la tête ou d'un dispositif de protection, de remplacement de la tête ou si vous laissez l'appareil sans surveillance. La pression ne s'évacue pas simplement en éteignant le moteur. La soupape d'AMORÇAGE/PULVÉRISATION doit être placée en position AMORÇAGE pour libérer la pression. Reportez-vous à la section intitulée Procédure limitation de la pression du présent manuel.
- Conservez TOUJOURS l'embout de protection de la tête lorsque vous pulvérisez. Ce dispositif fournit une certaine protection, mais il agit principalement à titre d'avertissement.
  - Enlevez TOUJOURS la tête de pulvérisation avant de rincer ou de nettoyer le système.
- Le tuyau à peinture peut présenter des fuites dues à l'usure, aux pincements et aux mauvaises utilisations. Toute fuite peut entraîner une injection de produit dans la peau. Vérifiez soigneusement le tuyau avant chaque utilisation.
- N'utilisez JAMAIS un pistolet pulvérisateur qui n'est pas muni d'un dispositif de verrouillage ou d'un dispositif de protection en place.
- Tous les accessoires doivent pouvoir fonctionner à des pressions minimales de 2 800 PSI / 19 MPa. Cette remarque s'applique aux têtes de pulvérisation, aux pistolets, aux rallonges et aux tuyaux.

#### REMARQUE À L'INTENTION DU MÉDECIN :

**L'injection de liquide dans la peau est une lésion traumatique qu'il importe de traiter le plus tôt possible. NE retardez PAS le traitement pour rechercher la toxicité. La toxicité est à prendre en compte lorsque certains enduits sont injectés directement dans le sang. Il peut être recommandé de consulter un chirurgien plastique ou un spécialiste de chirurgie reconstructive de la main.**

**DANGER : EXPLOSION ET INCENDIE – Les émanations de solvants et de peintures peuvent exploser ou s'enflammer causant des dégâts ou des blessures corporelles graves.**

#### PRÉVENTION :

- Un approvisionnement en air frais et une évacuation des gaz doivent être assurés afin que l'air entourant la zone de pulvérisation soit libre de toute accumulation de vapeurs inflammables.
- Évitez toutes les sources d'inflammation telles que les étincelles d'électricité statique, les appareils électriques, les flammes nues, les flammes pilotes, les objets chauds et les étincelles pouvant se produire lors du branchement ou du débranchement des cordons d'alimentation ou des interrupteurs de lampes de travail.
- Ne fumez pas dans la zone de pulvérisation.
- Vous devez disposer d'un extincteur en bon état de marche.

- Placez la pompe à une distance minimale de 6,1 mètres (20 pieds) de l'objet à pulvériser dans une pièce bien ventilée (ajoutez une longueur de tuyau au besoin). Les vapeurs inflammables sont souvent plus lourdes que l'air. La zone proche du sol doit être extrêmement bien ventilée. La pompe contient des parties susceptibles de former un arc électrique qui peuvent provoquer des étincelles et enflammer les vapeurs.
- L'équipement et les objets présents dans et autour de la zone de pulvérisation doivent être correctement mis à la terre pour éviter la formation d'étincelles statiques.
- N'utilisez qu'un tuyau de liquide à haute pression conducteur ou relié à la terre. Le pistolet doit être relié à la masse par les raccords de tuyaux.
- Le cordon d'alimentation doit être branché sur un circuit relié à la terre.
- Vidangez toujours l'appareil dans un contenant en métal isolé, à une faible pression de pompe et lorsque la tête de pulvérisation a été enlevée. Tenez le pistolet fermement contre le côté du contenant pour mettre le contenant à la masse et éviter la formation d'étincelles statiques.
- Suivez les instructions et mises en garde du fabricant du solvant.
- Redoublez de prudence lorsque vous utilisez des produits dont le point d'éclair est inférieur à 21 °C (70 °F)). Le point d'éclair est la température à laquelle un liquide peut produire assez de vapeurs pour s'enflammer.
- Les plastiques peuvent produire des étincelles statiques. N'accrochez jamais de revêtement en plastique pour circonscrire la zone de pulvérisation. N'utilisez pas de vêtements en plastiques lorsque vous vaporisez des produits inflammables.
- Utilisez la plus petite pression possible pour rincer l'équipement.

#### **MOTEUR À ESSENCE (LE CAS ÉCHÉANT)**

Placez toujours l'appareil à l'extérieur à l'air libre. Éloignez tous les solvants du conduit d'échappement du moteur. Ne remplissez jamais le réservoir de carburant lorsque le moteur est en marche ou chaud. Le carburant répandu sur le sol peut s'enflammer au contact de surfaces chaudes. Reliez toujours le câble de mise à la terre de la pompe à un objet mis à la terre. Veuillez consulter le manuel d'utilisateur du moteur pour de plus amples renseignements concernant les consignes de sécurité.

**DANGER : RISQUE D'EXPLOSION DÛ À DES MATÉRIAUX INCOMPATIBLES – entraîne des blessures graves ou des dégâts matériels.**

#### **PRÉVENTION :**

- N'utilisez pas de produits contenant de l'eau de javel ou du chlore.
- N'utilisez pas de solvants à base d'hydrocarbure halogéné tels que l'eau de javel, les produits antimoisissure, le chlorure de méthylène et le trichloro-éthane 1,1,1. Ils ne sont pas compatibles avec l'aluminium.
- Renseignez-vous auprès de votre fournisseur de revêtement pour obtenir plus de détails sur la compatibilité des matériaux avec l'aluminium.

**DANGER : ÉMANATIONS DANGEREUSES – Les peintures, solvants, insecticides et autres matériaux peuvent être dangereux en cas d'inhalation ou de contact avec la peau. Les vapeurs peuvent entraîner des nausées, des évanouissements ou des empoisonnements.**

#### **PRÉVENTION :**

- Utilisez un masque de protection si des vapeurs peuvent être inhalées. Lisez attentivement toutes les instructions fournies avec le masque pour vous assurer qu'il vous procurera toute la protection nécessaire.
- Portez des lunettes de protection.
- Portez des vêtements de protection, selon les instructions du fabricant de revêtement.

**DANGER : GÉNÉRALITÉS – Ce produit peut provoquer des blessures graves ou des dégâts matériels.**

#### **PRÉVENTION :**

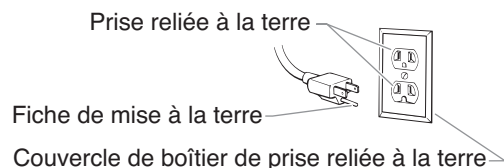
- Lisez attentivement toutes les instructions et les consignes de sécurité avant d'utiliser l'appareil.
- Respectez attentivement toutes les réglementations locales, provinciales et nationales régissant la ventilation, la prévention des incendies et l'utilisation de l'appareil.
- Les normes de sécurité du gouvernement des États-Unis ont été adoptées en vertu de la Occupational Safety and Health Act (OSHA – Loi sur la sécurité et la santé au travail). Il convient de prendre connaissance de ces normes et surtout de la partie 1910 des Normes générales et de la partie 1926 des Normes de construction.
- N'utilisez que des pièces de remplacement d'origine. L'utilisateur sera tenu responsable de tous les dommages s'il utilise des pièces non conformes aux caractéristiques minimales et aux consignes de sécurité du fabricant de la pompe.
- Avant chaque utilisation, assurez-vous qu'aucun tuyau ne présente des signes de coupures, de fuites, d'abrasion ni de renflement du revêtement. Vérifiez l'état et le mouvement des raccords. Remplacez immédiatement les tuyaux en présence d'une ou de plusieurs de ces conditions. Ne réparez jamais un tuyau à peinture. Remplacez-le par un tuyau à haute pression relié à la masse.
- Tous les tuyaux, pivots, pistolets et autres accessoires doivent pouvoir fonctionner à des pressions minimales de 2 800 PSI.
- Ne pulvériser pas à l'air libre en présence de vent.
- Portez des vêtements de protection pour protéger votre corps et vos cheveux des éclaboussures de peinture.
- Débranchez toujours les cordons électriques de la prise avant d'utiliser l'appareil.

## **Instructions de mise à la terre**

Cet outil doit être branché à la terre. En cas de court-circuit électrique, la mise à la terre réduit les risques de choc électrique en fournissant un fil d'échappement pour le courant électrique. Ce produit est équipé d'un cordon ayant un fil de mise à la terre et une fiche de mise à la terre adaptée. Le branchement doit être effectué dans une prise correctement installée et mise à la terre selon les codes et les règlements locaux.

**DANGER – Une installation incorrecte de la fiche de mise à la terre peut conduire à une électrocution. Si vous devez réparer ou remplacer le cordon ou la fiche d'alimentation, ne branchez pas un fil de mise à la terre vert à une borne à lame plate. Le fil isolé recouvert d'une gaine verte avec ou sans bandes jaunes est le fil de mise à la terre. Il doit être branché sur la fiche de mise à la terre.**

Renseignez-vous auprès d'un électricien qualifié ou d'un expert en réparations si vous n'avez pas entièrement compris les instructions de mise à la terre ou si vous avez un doute concernant le branchement de l'appareil à la terre. Ne modifiez pas la prise fournie. Si la fiche d'alimentation n'entre pas dans la prise murale, faites installer une prise murale par un électricien qualifié.

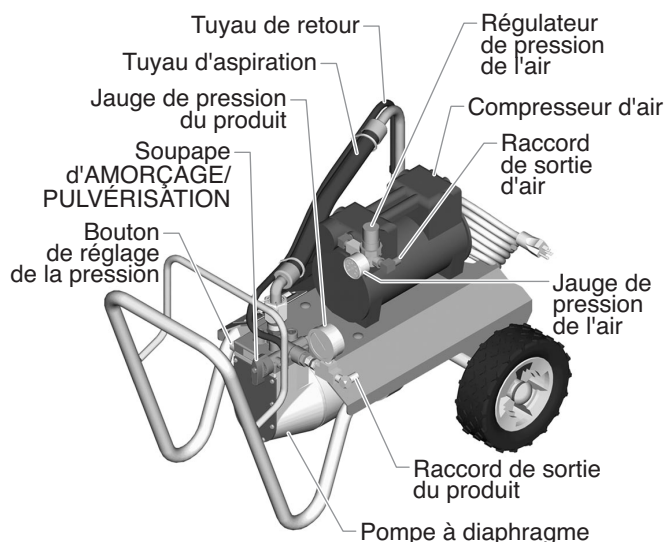


## ⚠ ATTENTION

N'utilisez qu'une rallonge électrique trifilaire munie d'une fiche de mise à la terre à 3 broches et une prise à 3 alvéoles dans laquelle peut être branchée la fiche d'alimentation du produit. Assurez-vous que la rallonge est bien en bon état. Lorsque vous utilisez une rallonge, veillez à ce qu'elle convienne au courant consommé par l'appareil. Une rallonge d'un calibre trop petit entraînerait une perte de tension et par conséquent une perte de puissance et la surchauffe. Nous vous conseillons d'utiliser une rallonge de calibre 12. Si votre rallonge doit être utilisée à l'extérieur, le suffixe W-A doit être indiqué après la désignation du type de câble. Par exemple, la désignation SJTW-A indiquerait que le câble peut être utilisé à l'extérieur.

## Description générale

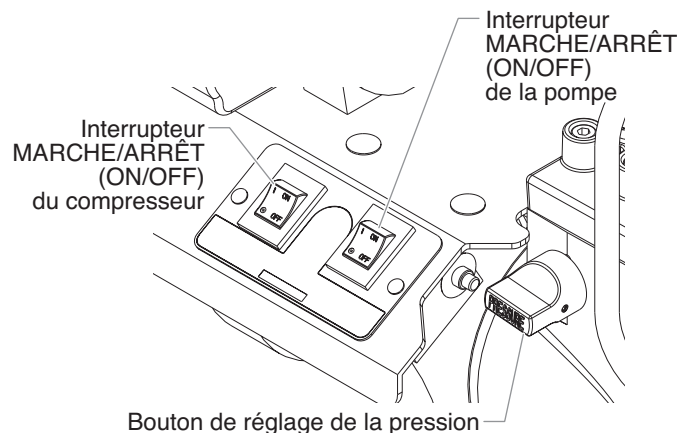
Ce système de pulvérisation à haute précision est un outil polyvalent pouvant être utilisé tant pour des travaux de finition à basse pression que pour la pulvérisation haute pression sans air comprimé. Le système comprend une pompe à peinture à diaphragme et un compresseur à air qui fonctionnent ensemble et lui donne ce caractère polyvalent.



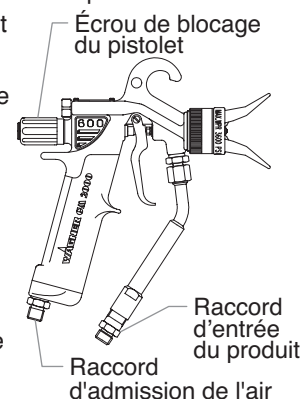
## Installation

Procédez comme suit pour mettre le système de pulvérisation en marche.

1. Assurez-vous que l'interrupteur MARCHÉ/ARRÊT (ON/OFF) de la pompe et que l'interrupteur MARCHÉ/ARRÊT (ON/OFF) du compresseur se trouvent sur la position ARRÊT (OFF).



2. Assurez-vous que le bouton de réglage de la pression est complètement tourné dans le sens inverse des aiguilles d'une montre, réglé sur la pression la plus basse.
3. Bloquez le pistolet en tournant complètement l'écrou de blocage dans le sens des aiguilles d'une montre (lorsque vous regardez de l'arrière du pistolet). Vous fermez ainsi la soupape de sortie du produit du pistolet.
4. À l'aide d'une clé, fixez un flexible de pulvérisation sans air en nylon d'un diamètre de 6,4 mm (1/4 po) et d'une longueur minimale de 15 m (50 pi) sur le raccord de sortie du produit de la pompe. Serrez fermement.
5. Fixez le tuyau de pulvérisation sur le raccord d'entrée du produit. À l'aide de deux clés (une sur le pistolet et l'autre sur le tuyau), serrez fermement.



## ⚠ AVERTISSEMENT

**Assurez-vous que tous les tuyaux sans air comprimé et les pistolets de pulvérisation sont bien raccordés électriquement et peuvent fonctionner à une pression de fluide d'au moins 2 800 PSI (19 MPa).**

6. Montez le tuyau d'air sur le raccord de sortie d'air du compresseur. Serrez fermement.
7. Montez le tuyau d'air sur le raccord d'entrée d'air du pistolet. Serrez fermement.

## ⚠ AVERTISSEMENT

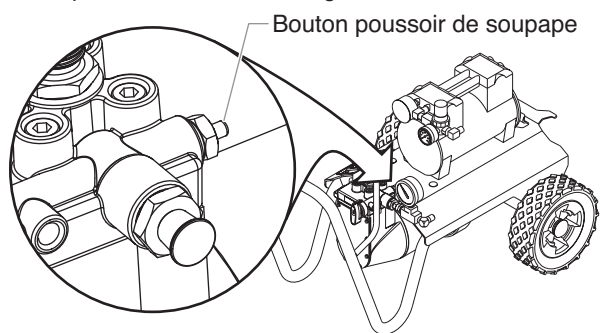
**L'inversion des raccords de tuyaux peut occasionner des lésions corporelles graves. Assurez-vous que le tuyau de pulvérisation sans air comprimé est bien branché à la pompe à diaphragme sur le raccord d'entrée du produit du pistolet et que le tuyau à air est bien branché entre le compresseur et le raccord d'entrée d'air du pistolet.**

8. Assurez-vous que le réseau électrique est de 120 V, et au minimum de 15 A.
9. Branchez le cordon d'alimentation sur une prise reliée à la terre à une distance minimale de 7,6 m (25 pi) cm de la zone de vaporisation.

## ⚠ ATTENTION

**Utilisez toujours une rallonge électrique trifilaire de calibre 12 munie d'une fiche mise à la terre. Vous ne devez jamais enlever la troisième broche ni utiliser un adaptateur.**

10. Enfoncez fermement le bouton poussoir de la soupape sur le côté du corps de la pompe pour vous assurer que le clapet à bille de sortie bouge librement.



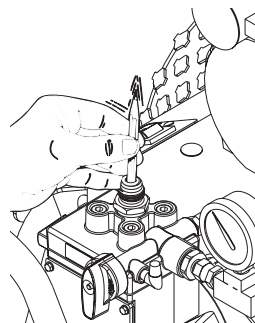
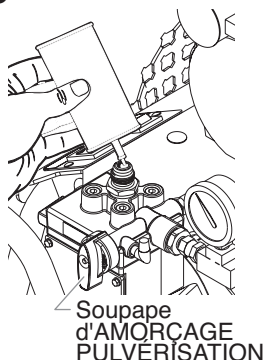
# Fonctionnement

Procédez comme suit pour mettre le système de pulvérisation en marche.

## Amorçage de la pompe

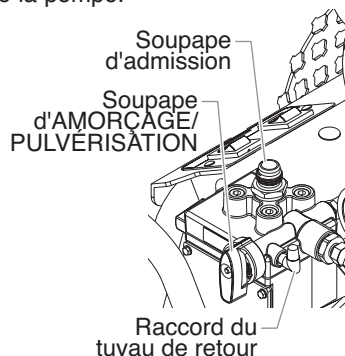
### Préparation de l'amorçage

1. Remplissez la soupape d'entrée d'eau ou d'huile ménagère légère.
2. Assurez-vous que la soupape d'AMORÇAGE/PULVÉRISATION est bien placée sur la position AMORÇAGE et que le bouton de réglage de la pression est complètement tourné dans le sens inverse des aiguilles d'une montre, réglé sur la pression la plus basse.
3. Allumez la pompe en plaçant l'interrupteur MARCHÉ/ARRÊT (ON/OFF) de la pompe à la position MARCHÉ (ON).
4. Augmentez la pression en faisant tourner le bouton de réglage de la pression dans le sens des aiguilles d'une montre d'un demi-tour.
5. Ouvrez la soupape d'admission et fermez-la en appuyant dessus avec un tournevis ou la gomme à effacer de l'extrémité d'un crayon. Elle doit monter et descendre d'environ 1,6 mm (1/16 po). Poursuivez cette action jusqu'à ce que l'eau ou l'huile soit aspirée dans la pompe ce qui humidifiera les parties mobiles et délogera toute trace de peinture résiduelle.
6. Placez la paume de votre main sur l'orifice d'entrée. Tournez complètement le bouton de réglage de la pression dans le sens des aiguilles d'une montre. Vous devriez sentir qu'il y a une aspiration dans la soupape d'admission. Si ce n'est pas le cas, consultez la rubrique Démontage et nettoyage de la soupape de sortie dans la section Maintenance.
7. Tournez le bouton de réglage de la pression dans le sens inverse des aiguilles d'une montre jusqu'à ce que la valeur de pression minimum soit atteinte.
8. Placez l'interrupteur MARCHÉ/ARRÊT (ON/OFF) de la pompe en position ARRÊT (OFF).



### Amorçage

1. Connectez l'ensemble d'aspiration à la pompe.
  - a. Montez et serrez l'écrou du tuyau d'aspiration sur la soupape d'admission de la pompe.
  - b. Montez et serrez le tuyau de retour sur le raccord du tuyau de retour de la pompe.



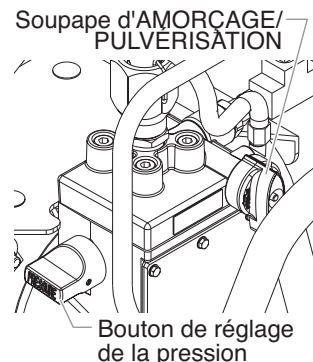
**NOTA:** Vous pouvez utiliser la pompe avec une trémie en option au lieu du nécessaire d'aspiration.

2. Placez le tuyau d'aspiration dans un contenant de peinture.
3. Tournez le bouton de réglage de la pression dans le sens inverse des aiguilles sur le réglage de pression minimale.

## ATTENTION

Réduisez toujours la pression à zéro avant de changer la position de la soupape d'AMORÇAGE/PULVÉRISATION. Le diaphragme de la pompe à peinture pourrait s'endommager si cette consigne n'est pas respectée.

4. Placez la soupape d'AMORÇAGE/PULVÉRISATION en position AMORÇAGE.
5. Placez l'interrupteur MARCHÉ/ARRÊT (ON/OFF) en position MARCHÉ (ON).
6. Tournez le bouton de réglage de la pression dans le sens des aiguilles d'une montre et placez-le entre la pression maximale et pression moyenne. Amorçez la pompe pendant 1 à 2 minutes après que la peinture a commencé à couler par le tuyau de retour et jusqu'à ce qu'il n'y ait plus de bulles.
7. Tournez le bouton de réglage de la pression dans le sens inverse des aiguilles sur le réglage de pression minimale.
8. Placez l'interrupteur MARCHÉ/ARRÊT (ON/OFF) en position ARRÊT (OFF).



## ATTENTION

Si le bouton de réglage de la pression est tourné à zéro et que la soupape d'AMORÇAGE/PULVÉRISATION est toujours en position PULVÉRISATION pendant que la pompe fonctionne, il y aura une pression élevée dans le tuyau et dans le pistolet de pulvérisation jusqu'à ce que la soupape d'AMORÇAGE/PULVÉRISATION soit placée en position AMORÇAGE ou que le pistolet de pulvérisation soit enclenché pour réduire la pression.

## Peinture

Le système de pulvérisation AirCoat dispose de deux modes de peinture différents : le mode AirCoat, utilisé pour les travaux de finition précis exécutés avec des produits peu ou moyennement visqueux (huile, vernis, laques, etc.) Le mode sans air, utilisé pour la peinture général avec des matériaux très visqueux (latex).

### Peinture en mode AirCoat

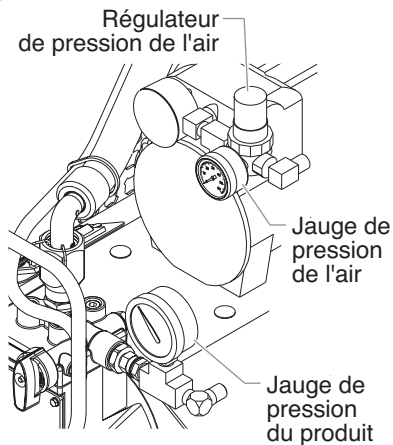
Utilisez le mode AirCoat pour les travaux de finition à basse pression (pression de la pompe de 1 000 PSI maximum).

1. Assurez-vous que le tuyau de pulvérisation sans air n'est pas plié et qu'il ne touche pas des objets aux bords coupants.
2. Tournez le bouton de réglage de la pression dans le sens inverse des aiguilles d'une montre jusqu'au réglage minimum.
3. Tournez le régulateur de pression de l'air du compresseur dans le sens inverse des aiguilles d'une montre jusqu'au réglage minimum.
4. Placez l'interrupteur MARCHÉ/ARRÊT (ON/OFF) du compresseur en position MARCHÉ (ON).
5. Placez l'interrupteur MARCHÉ/ARRÊT (ON/OFF) en position MARCHÉ (ON).
6. Placez la soupape d'AMORÇAGE/PULVÉRISATION en position PULVÉRISATION.



7. Tournez le bouton de réglage de la pression dans le sens des aiguilles d'une montre jusqu'à ce que la jauge de pression du produit atteigne 400 PSI. Le tuyau à peinture doit gonfler lorsque la peinture commence à s'y écouler.
8. Tournez le bouton de réglage de la pression dans le sens des aiguilles d'une montre jusqu'à ce que la jauge de pression de l'air atteigne 20 PSI.

9. Débloquez le pistolet en faisant tourner l'écrou de blocage dans le sens inverse des aiguilles d'une montre (lorsque vous regardez de l'arrière du pistolet) de trois tours complets. Vous ouvrez ainsi la soupape de sortie du produit du pistolet.



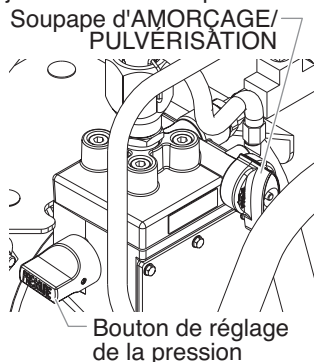
10. Enclenchez le pistolet de pulvérisation pour purger l'air du tuyau réservé au produit.
11. Lorsque le produit atteint la tête de pulvérisation, il faut peindre une zone d'essai pour vérifier la forme du jet de pulvérisation.
12. Réglez la forme de pulvérisation selon la taille et l'atomisation souhaitées.
  - a. Utilisez le bouton de réglage de la pression pour contrôler le jet de peinture vers le pistolet.
  - b. Utilisez le bouton de réglage de la pression de l'air pour contrôler la quantité d'air de pulvérisation disponible vers le pistolet.
  - c. Utilisez le bouton de réglage de forme du pistolet pour affiner la forme de pulvérisation.

**NOTA: Consultez le manuel de l'utilisateur du pistolet de pulvérisation pour plus de détails concernant le fonctionnement du pistolet.**

### Peinture en mode sans air

Utilisez le mode sans air pour les travaux de pulvérisation généraux à haute pression (pression de la pompe variant entre 500 à 2 000 PSI).

1. Assurez-vous que le tuyau de pulvérisation n'est pas plié et qu'il ne touche pas des objets aux bords coupants.
2. Tournez le bouton de réglage de la pression dans le sens inverse des aiguilles d'une montre jusqu'au réglage minimum.
3. Placez la soupape d'AMORÇAGE/PULVÉRISATION en position PULVÉRISATION.
4. Placez l'interrupteur MARCHÉ/ARRÊT (ON/OFF) en position MARCHÉ (ON).
5. Tournez le bouton de réglage de la pression dans le sens des aiguilles d'une montre au maximum. Le tuyau à peinture doit gonfler lorsque la peinture commence à s'y écouler.
6. Débloquez le pistolet en faisant tourner l'écrou de blocage dans le sens inverse des aiguilles d'une montre (lorsque vous regardez de l'arrière du pistolet) de trois tours complets. Vous ouvrez ainsi la soupape de sortie du produit du pistolet.
7. Enclenchez le pistolet de pulvérisation pour purger l'air du tuyau réservé au produit.



8. Lorsque le produit atteint la tête de pulvérisation, il faut peindre une zone d'essai pour vérifier la forme du jet de pulvérisation.
9. Pulvériser toujours à la pression minimale nécessaire pour obtenir les résultats souhaités. Si la pression du système est trop élevée, la forme de pulvérisation sera trop légère. Si la pression est trop faible, des traînées apparaissent ou la peinture est projetée en « gouttes » au lieu d'être pulvérisée.



Forme de pulvérisation correcte

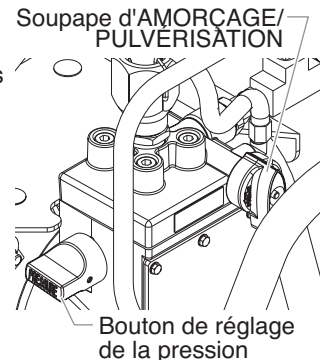


Traînées de peinture

### Procédure de limitation de la pression

Procédez comme indiqué ci-après après le montage de l'appareil et avant toute intervention portant sur le pistolet telle que le nettoyage ou la maintenance ou le remplacement des têtes ou des accessoires.

1. Tournez le bouton de réglage de la pression dans le sens inverse des aiguilles d'une montre jusqu'au réglage minimum.
2. Tournez la soupape d'AMORÇAGE/PULVÉRISATION en position PULVÉRISATION.
3. Enclenchez le pistolet pour éliminer toute pression qui pourrait se trouver dans le tuyau.
4. Bloquez le pistolet en tournant complètement l'écrou de blocage dans le sens des aiguilles d'une montre (lorsque vous regardez de l'arrière du pistolet). Vous fermez ainsi la soupape de sortie du produit du pistolet.



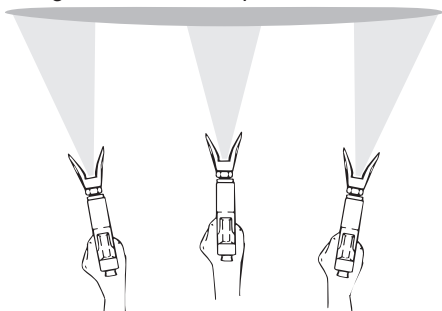
### ⚠ AVERTISSEMENT

**Danger de blessure par injection. Ne vaporisez pas si l'embout de protection de la tête n'est pas en place. Ne déclenchez JAMAIS le pistolet si la tête de pulvérisation n'est pas en position de pulvérisation ou de décolmatage. Engagez TOUJOURS le dispositif de verrouillage de la gâchette du pistolet avant de démonter, de remplacer ou de nettoyer la tête.**

## Technique de pulvérisation

Pour obtenir une peinture d'un fini impeccable il est essentiel que le produit soit également réparti sur toute la surface. Pour y parvenir, procédez par applications régulières. Déplacez votre bras à vitesse constante et gardez toujours le pistolet de pulvérisation à une distance constante de la surface. Placez votre pistolet de telle sorte que la tête de pulvérisation soit à une distance d'environ 25 à 30 cm (10 à 12 po) de la surface.

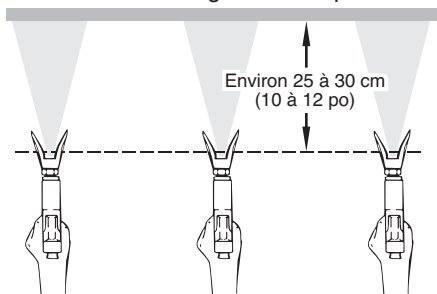
Couche légère    Couche épaisse    Couche légère



Ne fléchissez pas votre poignet pendant la pulvérisation.

Gardez le pistolet de pulvérisation à angle droit par rapport à la surface. Il vous faut pour cela déplacer tout votre bras de haut en bas et non pas seulement fléchir votre poignet.

Revêtement également réparti

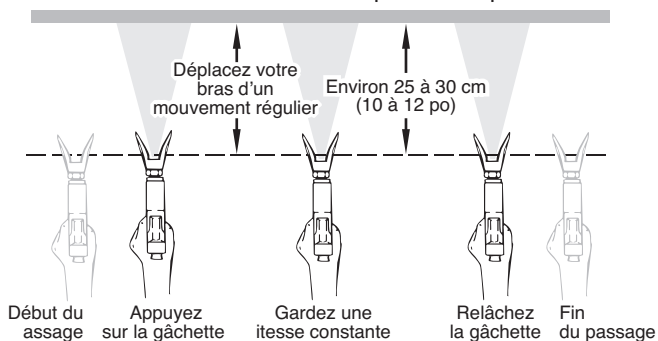


Déplacez votre bras d'un mouvement régulier et à vitesse constante.

Placez le pistolet de pulvérisation perpendiculaire à la surface, afin d'éviter qu'une extrémité de chaque passage soit plus épaisse que l'autre.

Appuyez sur la gâchette au début et à la fin de chaque passage. Vous éviterez de gaspiller de la peinture ou d'avoir une accumulation de peinture à l'extrémité du passage. N'enclenchez pas le pistolet au milieu d'un passage. Ceci entraînerait une pulvérisation inégale et un revêtement irrégulier.

Manière correcte d'enclencher le pistolet de pulvérisation



Chevauchez chaque passage d'environ 30 %. Vous obtiendrez ainsi un revêtement uniforme.

Lorsque vous avez terminé de peindre, bloquez le pistolet, tournez le bouton de réglage de la pression dans le sens contraire des aiguilles d'une montre sur la pression la plus faible et placez le bouton d'amorçage sur AMORÇAGE. Placez l'interrupteur du moteur en position ARRÊT (OFF) puis débranchez le pulvérisateur.

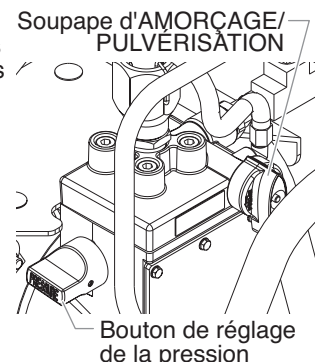
Si vous pensez être absent pendant plus d'une heure, suivez la procédure de nettoyage rapide décrite dans la section Nettoyage du présent manuel.

## Nettoyage

### Rangement pour la nuit

#### Arrêt du moteur

1. Tournez le bouton de réglage de la pression dans le sens inverse des aiguilles sur le réglage de pression minimale.
2. Placez la soupape d'AMORÇAGE/PULVÉRISATION en position AMORÇAGE.
3. Placez l'interrupteur ARRÊT/MARCHE (ON/OFF) en position ARRÊT (OFF).
4. Placez l'interrupteur MARCHE/ARRÊT (ON/OFF) du compresseur en position ARRÊT (OFF).
5. Attendez quelques secondes puis enclenchez le pistolet dans le contenant de produit pour libérer la pression de liquide de la pompe et la pression d'air du compresseur.
6. Bloquez le pistolet en tournant complètement l'écrou de blocage le sens des aiguilles d'une montre (lorsque vous regardez de l'arrière du pistolet). Vous fermez ainsi la soupape de sortie du produit du pistolet.
7. Débranchez l'appareil
8. Pour les matériaux en latex uniquement, versez lentement une demi-tasse sur la surface de la peinture pour l'empêcher de sécher. Pour d'autres produits, fermez hermétiquement le contenant en laissant le tuyau de retour dans la peinture.
9. Enveloppez le pistolet pulvérisateur dans un chiffon humide et placez-le dans un sac en plastique. Fermez bien le sac hermétiquement.
10. Placez l'outil dans un endroit sûr à l'abri du soleil pour un rangement à court terme.



#### Réutilisation

1. Extrayez le pistolet du sac en plastique.
2. Dans le cas des matériaux au latex, agitez la peinture pour incorporer l'eau sur la surface. Pour tous les autres produits, descellez le seau à peinture et agitez la peinture.
3. Procédez comme indiqué dans la section « Peinture » du présent manuel en fonction du type de PULVÉRISATION à réaliser.

### Rangement à long terme

#### ⚠ AVERTISSEMENT

**Ne laissez pas la peinture s'accumuler sur le moteur, car une telle accumulation risquerait d'entraîner une surchauffe. Ne laissez pas des solvants inflammables entrer en contact avec le moteur car ces produits pourraient s'enflammer.**

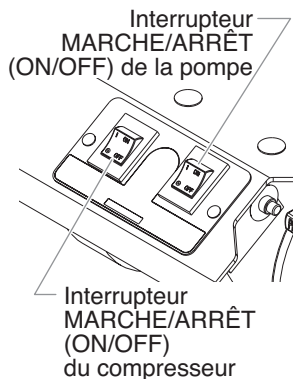
**NOTA:** Si vous pulvérisiez avec de la peinture au latex, utilisez de l'eau tiède savonneuse pour le nettoyage. Si vous utilisez une peinture alkyde ou à l'huile, utilisez des essences minérales ou un produit diluant pour peinture.

#### ⚠ ATTENTION

**N'utilisez pas d'essences minérales ni de diluant pour peinture pour les peintures au latex car le mélange se transformera en une pâte gélatineuse difficile à éliminer.**

## Nettoyage du tuyau d'aspiration

1. Tournez le bouton de réglage de la pression dans le sens inverse des aiguilles sur le réglage de pression minimale.
2. Placez la soupape d'AMORÇAGE/PULVÉRISATION en position AMORÇAGE.
3. Placez l'interrupteur MARCHE/ARRÊT (ON/OFF) en position ARRÊT (OFF).
4. Placez l'interrupteur MARCHE/ARRÊT (ON/OFF) du compresseur en position ARRÊT (OFF).
5. Attendez quelques secondes puis enclenchez le pistolet dans le contenant de produit pour libérer la pression de liquide de la pompe et la pression d'air du compresseur.
6. Bloquez le pistolet en tournant complètement l'écrou de blocage dans le sens des aiguilles d'une montre (lorsque vous regardez de l'arrière du pistolet). Vous fermez ainsi la soupape de sortie du produit du pistolet.
7. Enlevez le tuyau d'aspiration du produit et tenez-le au-dessus d'un seau contenant de l'eau ou un solvant. Laissez le tuyau de retour dans le contenant de peinture.



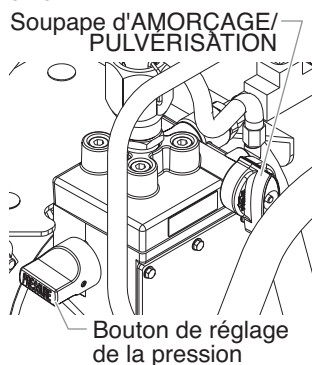
## ATTENTION

**N'utilisez pas d'essences minérales ou de diluant pour peinture pour les peintures au latex car le mélange se transformera en une pâte gélatineuse difficile à éliminer.**

8. Placez l'interrupteur MARCHE/ARRÊT (ON/OFF) en position MARCHE (ON).
9. Placez le bouton de réglage de la pression au réglage intermédiaire. Vous pourrez ainsi aspirer la peinture restante dans le tuyau d'aspiration par la pompe, dans le tuyau de retour puis dans le contenant de peinture.
10. Tournez le bouton de réglage de la pression dans le sens inverse des aiguilles sur le réglage de pression minimale.
11. Enlevez la tête de pulvérisation et l'embout de protection puis placez-les dans un bac contenant du solvant approprié.
12. Placez le tuyau d'aspiration monté et le tuyau de retour dans le seau d'eau ou dans du solvant approprié.
13. Augmentez la pression jusqu'à ce qu'elle corresponde à la moitié de la pression maximale. Laissez l'eau ou le solvant circuler pendant 2 à 3 minutes pour faire sortir la peinture de la pompe, du tuyau d'aspiration et du tuyau de retour.

## Nettoyage du tuyau à peinture

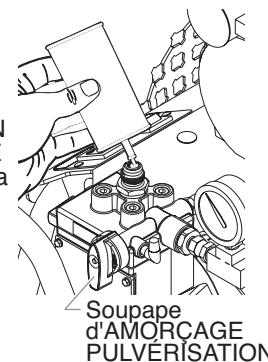
1. Tournez le bouton de réglage de la pression dans le sens inverse des aiguilles sur le réglage de pression minimale.
2. Turn the PRIME/SPRAY valve to SPRAY.
2. Placez la soupape d'AMORÇAGE/PULVÉRISATION en position PULVÉRISATION.
3. Desserrez doucement l'écrou de blocage dans le sens inverse des aiguilles d'une montre (lorsque vous regardez de l'arrière du pistolet) de trois tours complets. Vous ouvrez ainsi la soupape de sortie du produit du pistolet.
4. Actionnez la gâchette du pistolet avec la tête de pulvérisation démontée et placée contre la partie interne du contenant de peinture.



5. Tournez le bouton de réglage de la pression lentement dans le sens des aiguilles d'une montre jusqu'à ce que de la peinture commence à s'écouler dans le contenant. Dès que l'eau ou le solvant commence à s'écouler dans le contenant, relâchez la détente.
6. Changez l'eau ou le solvant et continuez à faire circuler le liquide pendant environ 5 minutes pour nettoyer complètement le tuyau, la pompe et le pistolet de pulvérisation.
7. Tournez le bouton de réglage de la pression dans le sens inverse des aiguilles d'une montre jusqu'au réglage minimum.
8. Placez la soupape d'AMORÇAGE/PULVÉRISATION en position AMORÇAGE.
9. Actionnez le pistolet dans de l'eau ou le conteneur de solvant pour libérer la pression du liquide de la pompe.
10. Bloquez le pistolet en tournant complètement l'écrou de blocage dans le sens des aiguilles d'une montre (lorsque vous regardez de l'arrière du pistolet). Vous fermez ainsi la soupape de sortie du produit du pistolet.
11. Placez l'interrupteur MARCHE/ARRÊT (ON/OFF) en position ARRÊT (OFF).

## Nettoyage final

1. Retirez l'ensemble d'aspiration de la soupape d'admission.
2. Nettoyez les filetages de la soupape d'admission à l'aide d'un chiffon humide.
3. Remplissez la soupape d'entrée d'eau ou d'huile ménagère légère.
4. Assurez-vous que la soupape d'AMORÇAGE/PULVÉRISATION est bien placée sur AMORÇAGE et que le bouton de réglage de la pression est complètement tourné dans le sens inverse des aiguilles d'une montre, réglé sur la pression la plus basse.
5. Allumez la pompe en plaçant l'interrupteur MARCHE/ARRÊT (ON/OFF) de la pompe en position MARCHE (ON).
6. Augmentez la pression en faisant tourner le bouton de réglage de la pression dans le sens des aiguilles d'une montre d'un demi-tour.
7. Tournez la soupape d'AMORÇAGE/PULVÉRISATION en position PULVÉRISATION pour répartir d'huile.



**NOTA: Le nettoyage et le graissage à l'huile de la pompe après utilisation constituent les étapes les plus importantes pour assurer un bon fonctionnement après l'entreposage.**

8. Tournez le bouton de réglage de la pression dans le sens inverse des aiguilles d'une montre jusqu'au réglage minimum.
9. Placez la soupape d'AMORÇAGE/PULVÉRISATION en position AMORÇAGE.
10. Débloquez le pistolet et actionnez-le pour éliminer toute pression qui reste dans le tuyau.
11. Bloquez le pistolet en tournant complètement l'écrou de blocage dans le sens des aiguilles d'une montre (lorsque vous regardez de l'arrière du pistolet). Vous fermez ainsi la soupape de sortie du produit du pistolet.
12. Éteignez la pompe en plaçant l'interrupteur MARCHE/ARRÊT (ON/OFF) de la pompe en position ARRÊT (OFF).
13. Démontez le tuyau à peinture et le tuyau à air du pistolet de pulvérisation à l'aide de deux clés à mâchoires mobiles. Consultez le manuel de l'utilisateur du pistolet de pulvérisation pour obtenir plus de détails sur les consignes de nettoyage du pistolet.
14. Essayez tout l'ensemble, y compris le tuyau et le pistolet, à l'aide d'un chiffon humide pour éliminer la peinture accumulée.

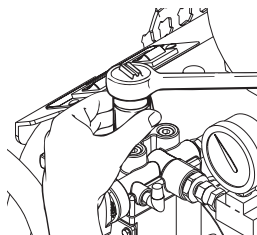


## Maintenance

Suivez ces instructions si vous rencontrez des problèmes indiqués dans la section dépannage.

### Démontage et nettoyage de la soupape d'admission

1. Procédez de la façon indiquée dans la procédure de limitation de la pression; éteignez et débranchez l'appareil.
2. Démontez la soupape d'entrée à l'aide d'une douille de 27 millimètres ou d'une clé polygone.



3. Testez la mobilité de la soupape en l'enfonçant à partir de l'extrémité ouverte du carter de la soupape à l'aide d'un tournevis ou de la gomme à effacer de l'extrémité d'un crayon. Elle doit bouger d'environ 1,6 mm (1/16 po). Si elle ne bouge pas, vous devez la nettoyer ou la remplacer.



**NOTA:** La soupape d'admission doit être huilée après chaque utilisation. Cette précaution vous permettra de réduire ou d'éliminer les problèmes d'amorçage lors de la prochaine utilisation de l'appareil, tout en allongeant la durée de vie utile de la soupape.

4. Nettoyez soigneusement la soupape à l'eau ou avec un solvant approprié. Utilisez une petite brosse.
5. Si la soupape a bien été nettoyée et que de l'eau s'écoule de sa partie inférieure, elle est usée et doit être remplacée. Une soupape remplie d'eau, bien appuyée sur son siège et maintenue en position verticale ne fuit pas.
6. Installez une nouvelle soupape ou une soupape nettoyée dans le corps de la pompe puis remplissez-la d'huile légère ou de solvant.

### Démontage et nettoyage de la soupape de sortie

Il peut s'avérer nécessaire de démonter et de nettoyer la soupape de sortie ou de remplacer les pièces internes de la soupape qui sont usées après une utilisation normale.

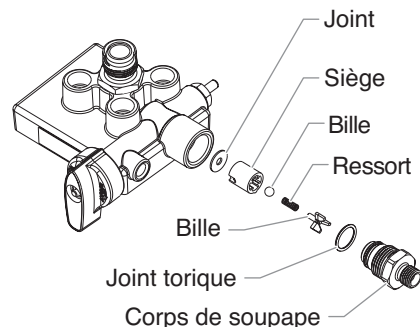
1. Démontez le corps de la soupape de sortie à l'aide d'une clé.
2. Démontez et nettoyez la butée à billes et le petit ressort à l'intérieur de la soupape à l'aide d'un fil de fer ou de petites pinces. Remplacez le ressort s'il est endommagé ou défectueux.

**NOTA:** Ce ressort est fabriqué de manière à avoir une tension spécifique. Ne l'étirez pas. Ne le remplacez pas par une pièce de rechange non homologuée. Consultez le schéma de montage des pièces de la pompe de peinture pour connaître la référence de la pièce de rechange. Un ressort supplémentaire est compris dans l'ensemble de documentation.

3. Retirez le siège de soupape et l'ensemble à billes.
4. Nettoyez soigneusement toutes les pièces. Si la bille ou le siège semble usé(e), remplacez-les par des nouvelles pièces. Cette bille au carbure doit être parfaitement hermétique sur son siège pour que la soupape fonctionne correctement.
5. Couvrez toutes les pièces d'une fine couche d'huile légère avant de remonter l'ensemble.

**NOTA:** Alignez la saillie du siège avec l'encoche du carter de la pompe lors du remontage.

6. Placez la bille de la soupape.
7. Insérez le protecteur et le ressort puis remplacez le corps de la soupape. Assurez-vous que le joint torique est bien en place et que la languette du capuchon rentre bien dans le ressort.
8. Serrez le corps de la soupape à l'aide d'une clé. Ne la serrez pas trop.



**NOTA:** L'usure de la bille est pratiquement impossible à détecter visuellement. Pour voir si une soupape de sortie est usée, tournez le bouton de réglage de la pression dans le sens des aiguilles d'une montre sur le réglage maximum et faites couler de l'eau seulement dans la pompe pendant environ 10 à 15 minutes sans enclencher le pistolet. Si la soupape est défectueuse, le capuchon d'extrémité peut devenir très chaud au toucher. Si la soupape fonctionne correctement, il reste à peu près à la même température que l'eau qui circule à l'intérieur.

# Dépannage

## Problème

Le pulvérisateur ne démarre pas.

## Cause

1. L'appareil n'est pas branché.
2. L'interrupteur MARCHÉ/ARRÊT (ON/OFF) est placé sur ARRÊT (OFF).
3. Un fusible a grillé dans l'appareil.
4. La tension provenant de la prise murale est faible ou inexistante.
5. L'appareil a été éteint pendant qu'il était toujours sous pression.
6. La rallonge électrique est endommagée ou sa capacité est trop faible.
7. Le dispositif de protection thermique de l'appareil s'est déclenché.
8. Il y a un problème avec le moteur.

## Solution

1. Branchez l'appareil.
2. Placez l'interrupteur MARCHÉ/ARRÊT (ON/OFF) en position MARCHÉ (ON).
3. Remplacez le fusible grillé par une pièce de rechange adaptée.
4. Testez correctement la tension d'alimentation électrique.
5. Placez le bouton d'AMORÇAGE/PULVÉRISATION en position AMORÇAGE.
6. Remplacez la rallonge.
7. Laissez le moteur refroidir et placez l'appareil dans un endroit plus frais.
8. Faites réparer l'appareil dans un centre d'entretien agréé par SprayTECH.

La pompe démarre, mais n'aspire pas la peinture lorsque la soupape d'AMORÇAGE/PULVÉRISATION est placée sur AMORÇAGE.

1. La pompe ne s'amorce pas correctement ou l'amorçage se perd.
2. Le contenant de peinture est vide ou le tuyau d'aspiration n'est pas totalement plongé dans la peinture.
3. Le filtre de l'ensemble d'aspiration est colmaté.
4. Le tuyau d'aspiration est mal fixé sur la soupape d'admission.
5. La soupape d'admission est bloquée.
6. La soupape de sortie est bloquée.
7. La soupape d'AMORÇAGE/PULVÉRISATION est bloquée.
8. La soupape d'admission est usée ou endommagée.
9. Il y a un problème avec le diaphragme.
10. Le niveau d'huile hydraulique est trop bas ou le réservoir est vide.

1. Essayez d'amorcer de nouveau la pompe.
2. Plongez le tuyau d'aspiration dans la peinture.
3. Nettoyez le filtre de l'ensemble d'aspiration.
4. Nettoyez le raccord du tuyau et serrez-le fermement.
5. Nettoyez la soupape d'admission.
6. Nettoyez la soupape de sortie et remplacez toutes les pièces usées.
7. Faites réparer dans un centre d'entretien agréé par SprayTECH.
8. Remplacez la soupape d'admission.
9. Faites réparer dans un centre d'entretien agréé par SprayTECH.
10. Faites réparer dans un centre d'entretien agréé par SprayTECH.

La pompe aspire de la peinture, mais la pression retombe lorsque le pistolet est actionné.

1. La tête de pulvérisation est usée.
2. Le filtre de l'ensemble d'aspiration est colmaté.
3. Le filtre du pistolet ou de la tête de pulvérisation est colmaté.
4. La peinture est trop lourde ou trop épaisse.
5. La soupape de sortie est sale ou usée.
6. La soupape d'admission est endommagée ou usée.

1. Remplacez la tête de pulvérisation par une tête neuve.
2. Nettoyez le filtre de l'ensemble d'aspiration.
3. Nettoyez ou remplacez le filtre. Ayez toujours des filtres de rechange à votre disposition.
4. Diluez ou tamisez la peinture.
5. Nettoyez ou remplacez la soupape de sortie.
6. Remplacez la soupape d'admission.

Traînées de peinture.

1. La pression de liquide est trop basse.
2. La pression d'air est trop basse.
3. Le pistolet, la tête de pulvérisation ou le filtre de l'ensemble d'aspiration est bloqué.
4. Le tuyau d'aspiration est mal fixé sur la soupape d'admission.
5. La tête de pulvérisation est usée.
6. La peinture est trop épaisse.

1. Augmentez la pression du liquide.
2. Augmentez la pression d'air.
3. Nettoyez les filtres.
4. Serrez le raccord de tuyau d'aspiration.
5. Remplacez la tête de pulvérisation.
6. Diluez la peinture.

Le dispositif de protection thermique s'est déclenché et a éteint la pompe.

1. Le moteur a surchauffé.
2. La rallonge électrique est trop longue ou son calibre est trop petit.
3. De la peinture s'est accumulée sur le moteur.
4. Le moteur a été mis en marche pendant que l'appareil était sous pression.
5. L'appareil a été laissé en plein soleil.

1. Laissez-la refroidir pendant 30 minutes.
2. Laissez-la refroidir pendant 30 minutes et remplacez la rallonge par une rallonge plus courte ou d'un plus gros calibre.
3. Éliminez les éclaboussures de peinture présentes sur le moteur.
4. Redémarrez l'appareil en mode AMORÇAGE.
5. Placez l'appareil à l'ombre.

Le compresseur ne démarre pas.

1. L'interrupteur MARCHÉ/ARRÊT (ON/OFF) du compresseur est en position ARRÊT (OFF).
2. L'interrupteur MARCHÉ/ARRÊT (ON/OFF) du compresseur est endommagé.
3. Problème de compresseur.
4. L'orifice de décompression sous le régulateur d'air est bloqué.

1. Placez l'interrupteur MARCHÉ/ARRÊT (ON/OFF) du compresseur en position MARCHÉ (ON).
2. Faites réparer dans un centre d'entretien agréé par SprayTECH.
3. Faites réparer dans un centre d'entretien agréé par SprayTECH.
4. Nettoyez l'orifice de décharge.

Le compresseur démarre, mais il n'y a pas assez d'air.

1. Le régulateur d'air est réglé trop faiblement.
2. La peinture est trop épaisse.
3. Soupape d'air fermée sur le pistolet.
4. Mauvaise limitation de pression.

1. Augmentez le réglage du régulateur d'air.
2. Diluez la peinture.
3. Ouvrez la soupape d'air du pistolet. Consultez le manuel d'utilisation du pistolet.
4. Installez une soupape de décharge neuve.

## Tabla de contenidos

Precauciones de seguridad .....	19
Instrucciones de conexión a tierra .....	20
Descripción general .....	21
Instalación .....	21
Operación .....	22
Cebado de la bomba .....	22
Pintura .....	22
Procedimiento para el alivio de la presión .....	23
Técnica de pulverización .....	24
Limpieza .....	24
Almacenamiento durante la noche .....	24
Almacenamiento a largo plazo .....	24
Mantenimiento .....	26
Retiro y limpieza de la válvula de admisión .....	26
Retiro y limpieza de la válvula de salida .....	26
Solución de problemas .....	27
Lista de piezas .....	28
Garantía limitada .....	34

## Precauciones de seguridad

Este manual contiene información que usted debe leer y comprender antes de usar el equipo. Cuando llegue a un área que posea uno de los siguientes símbolos, ponga especial atención y asegúrese de atender las medidas preventivas.

### ADVERTENCIA

Este símbolo indica un peligro potencial de recibir lesiones graves o de perder la vida. A continuación se ofrecerá importante información de seguridad.

### PRECAUCION

Este símbolo indica un peligro potencial para usted o para el equipo. A continuación se ofrecerá importante información que le indicará cómo impedir los daños al equipo y cómo evitar las causas de lesiones de menor consideración.

**NOTA:** Las notas entregan importante información a la cual se le debe prestar especial atención.

### PRECAUCION

La bomba del diafragma se proporciona con un reinicio automático de protección térmica. Si ocurre una sobrecarga, el reinicio automático de protección térmica desconecta el motor del suministro de energía eléctrica.

- Cuando el protector se reinicie automáticamente, el motor volverá a arrancar sin advertencia.
- Desconecte siempre el motor del suministro de energía eléctrica antes de trabajar en el equipo.
- Cuando el reinicio automático de protección térmica desconecte el motor del suministro de energía eléctrica, libere la presión girando la válvula PRIME/SPRAY (CEBAR/PULVERIZAR) a la posición PRIME.
- Gire el interruptor ON/OFF (ENCENDIDO/ APAGADO) de la bomba a la posición OFF

**NOTA:** La causa de la sobrecarga se debe corregir antes de volver a arrancar. Consulte la sección de Solución de problemas.

## ADVERTENCIA

**PELIGRO:** Lesión por inyección: un chorro de líquido a altas presiones producido por este equipo podría perforar la piel y los tejidos subyacentes, lo que puede conllevar lesiones graves y una posible amputación. Visite inmediatamente a un médico.

**¡NO TRATE UNA LESIÓN POR INYECCIÓN COMO UNA SIMPLE CORTADA! La inyección puede resultar en una amputación. Visite a un médico inmediatamente.**

**El rango de operación máximo de la unidad es de 2800 PSI / 19 MPa de presión de fluidos.**

### PREVENCIÓN:

- NUNCA apunte la pistola a partes del cuerpo.
- NUNCA permita que alguna parte del cuerpo toque el chorro de líquido. NO permita que el cuerpo toque alguna fuga en la manguera del líquido.
- NUNCA ponga las manos delante de la pistola. Los guantes no brindarán protección frente una lesión por inyección.
- SIEMPRE bloquee el gatillo de la pistola, cierre la bomba y libere toda la presión antes de realizar reparaciones, de limpiar la punta o la protección, de cambiar la punta o de dejar de operar. La presión no se liberará con sólo apagar el motor. La manilla de la válvula PRIME/SPRAY se debe girar a la posición PRIME a fin de liberar la presión. Consulte el Procedimiento para el alivio de la presión descrito en el manual de la bomba.
- Cuando realice pulverizaciones, mantenga SIEMPRE el protector de la punta. El protector de la punta brinda cierta protección pero es fundamentalmente un dispositivo de advertencia.
- SIEMPRE retire la punta de pulverización antes de lavar o de limpiar el sistema.
- La manguera de pintura puede presentar fugas debido al desgaste, las torceduras y el abuso. Una fuga puede inyectar materiales a la piel. Inspeccione la manguera antes de cada uso.
- NUNCA use una pistola pulverizadora sin un sistema de bloqueo y de protección de gatillo que estén en funcionamiento e instalados.
- Todos los accesorios se deben calcular a una presión de 2800 PSI / 19 Mpa o por sobre ella. Esto incluye las puntas, las pistolas, extensiones y la manguera de pulverización.

### NOTA PARA LOS MÉDICOS:

**La inyección en la piel es una lesión traumática. Es importante tratar la lesión tan pronto como sea posible. NO demore el tratamiento destinado a estudiar la toxicidad. La toxicidad es una preocupación que nace de inyectar algunos revestimientos directamente en el torrente sanguíneo. Se aconseja la consulta a un cirujano plástico o reconstituyente de manos.**

**PELIGRO: EXPLOSIÓN e INCENDIOS:** los solventes y los vapores de pintura pueden explotar o inflamarse. Pueden ocurrir lesiones graves y/o daños a la propiedad.

### PREVENCIÓN:

- Introduzca escapes y aire fresco adicional a fin de mantener el aire al interior del área de pulverizaciones libre de la acumulación de vapores inflamables.
- Evite las fuentes inflamables, tales como las chispas de electricidad estática, artefactos eléctricos, llamas, lámparas piloto, objetos calientes y chispas provenientes de la conexión y desconexión de cables de alimentación y de interruptores de luces en funcionamiento.
- No fume en el área de las pulverizaciones.
- Debe tener disponible y en buen estado de funcionamiento un extintor de incendios.

- Ubique la bomba al menos a 20 pies (6,1 m) del objeto sobre el que va a pulverizar, en un área bien ventilada (ocupe una manguera más larga si es necesario). Los vapores inflamables a menudo son más pesados que el aire. El área del piso debe ventilarse extremadamente bien. La bomba contiene piezas en arco que emiten chispas y que pueden inflamar los vapores.
- El equipo y los objetos en el interior y alrededor del área de las pulverizaciones deben tener una conexión a tierra adecuada a fin de evitar las chispas de la estática.
- Use sólo una manguera para líquidos a altas presiones que sea conductora o que posea conexión a tierra. La pistola debe tener conexión a tierra a través de las conexiones de la manguera.
- El cable de alimentación se debe conectar a un circuito conectado a tierra.
- Lave la unidad siempre en un recipiente de metal separado, a una baja presión de la bomba, luego de haber retirado la punta de pulverización. Sostenga firmemente la pistola contra el lado del recipiente a fin de conectar a tierra el recipiente y así evitar las chipas de estática.
- Siga las advertencias e instrucciones de fabricante con relación a materiales y solventes.
- Ponga extremo cuidado al usar materiales con un punto de inflamación bajo los 70° F (21° C). El punto de inflamación es la temperatura a la cual un líquido produce vapores suficientes como para inflamarse.
- El plástico puede causar chispas de estática. Nunca cuelgue plástico para cerrar el área de pulverización. No use ropas de plástico al momento de pulverizar materiales inflamables.
- Aplique las presiones más bajas posibles al momento de lavar el equipo.

#### **MOTOR A GAS (EN LOS CASOS EN QUE SE APLIQUE)**

Ubique siempre la unidad fuera del edificio, al aire fresco. Mantenga todos los solventes lejos del escape del motor. Nunca llene el tanque de combustible con el motor en marcha o aún caliente. Una superficie caliente puede inflamar el combustible que se haya derramado. Siempre conecte el cable a tierra desde la bomba a un objeto conectado a tierra. Consulte el manual del propietario del motor para obtener información completa sobre seguridad.

#### **PELIGRO: PELIGRO DE EXPLOSIÓN DEBIDO A MATERIALES INCOMPATIBLES causará lesiones graves y daños a la propiedad.**

##### **PREVENCIÓN:**

- No use materiales que contengan blanqueadores ni cloro.
- No use solventes de hidrocarburos halogenados tales como blanqueadores, antihongos, cloruro de metileno y 1,1,1 – tricloroetano. No son compatibles con el aluminio.
- Comuníquese con su proveedor de revestimientos para averiguar la compatibilidad del material con el aluminio.

#### **PELIGRO: VAPORES PELIGROSOS: pinturas, solventes, insecticidas y otros materiales pueden constituir un peligro si se inhalan o toman contacto con el cuerpo. Los vapores pueden causar náuseas severas, desmayos o envenenamiento.**

##### **PREVENCIÓN:**

- Use un equipo de respiración o una máscara en caso de que los vapores puedan ser inhalados. Lea todas las instrucciones suministradas con la máscara para estar seguro de que brindará la protección necesaria.
- Use anteojos protectores.
- Use ropa protectora, según lo requiera el fabricante del revestimiento.

#### **PELIGRO: GENERAL: puede causar lesiones graves o daño a la propiedad.**

##### **PREVENCIÓN:**

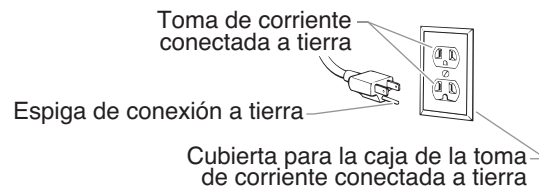
- Lea todas las instrucciones y las precauciones de seguridad antes de operar el equipo.
- Siga todos los códigos locales, estatales y nacionales que rijan la ventilación, la prevención de incendios y la operación.
- La normas de seguridad del gobierno de los Estados Unidos han sido adoptadas por la Ley de Seguridad e Higiene en el Trabajo (OSHA, por sus siglas en inglés). Se debe consultar estas normas, es especial la parte 1910 de las Normas generales y la parte 1926 de las Normas de construcción.
- Use sólo las piezas recomendadas por el fabricante. El usuario asume todos los peligros y responsabilidades al usar piezas que no cumplan con las especificaciones mínimas o con los dispositivos de seguridad del fabricante de la bomba.
- Antes de cada uso, revise todas las mangueras en busca de cortes, fugas, abrasiones o combaduras de la cubierta. Verifique si los acoplamientos presentan daños o movimiento. Reemplace inmediatamente la manguera si existe alguna de tales condiciones. Nunca repare una manguera para pintura. Reemplace con una manguera de alta presión puesta a tierra.
- Todas, las mangueras, pivotes, pistolas y los accesorios se deben calcular a una presión de 2800 PSI / 19 Mpa o por sobre ella.
- No pulverice en el exterior, en días con mucho viento.
- Use ropa que mantenga la pintura lejos de la piel y del pelo.
- Desconecte siempre el cable de la toma de corriente antes de trabajar en el equipo.

### **Instrucciones de conexión a tierra**

Este producto debe conectarse a tierra. En caso de que ocurra un corto circuito, la conexión a tierra reduce el riesgo de sufrir una descarga eléctrica al brindar a la corriente eléctrica un cable de escape. Este producto está equipado con un cable que posee conexión a tierra con un enchufe de conexión a tierra adecuado. El enchufe se debe conectar a una toma de corriente que esté adecuadamente instalada y conectada a tierra, de acuerdo con todos los códigos y ordenanzas locales.

**PELIGRO:** la instalación inadecuada del enchufe de conexión a tierra puede dar como resultado un riesgo de descarga eléctrica. Si es necesario reparar o reemplazar el cable o el enchufe, no conecte el cable verde de conexión a tierra a los terminales de paleta. El cable aislado que posee una superficie externa de color verde, con o sin franjas amarillas, es el cable de conexión a tierra y se debe conectar a la espiga de conexión a tierra.

Verifique con un electricista o mecánico calificado si no comprendió cabalmente las instrucciones de conexión a tierra o si tiene dudas si el producto está adecuadamente conectado. No modifique el enchufe que se suministra. Si el enchufe no calza en la toma de corriente, haga que un electricista calificado instale la toma adecuada.

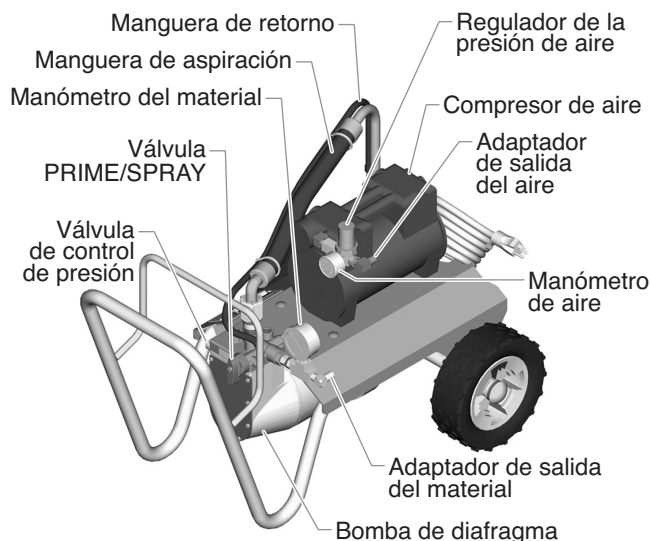


## ⚠ PRECAUCION

Use sólo un cable de extensión trifilar que posea un enchufe de conexión a tierra de 3 paletas y un receptáculo de 3 ranuras que acepte el enchufe del producto. Asegúrese de que su cable de extensión se encuentre en buenas condiciones. Al usar un cable de extensión, asegúrese de usar uno que sea lo suficientemente pesado como para la corriente que utilizará el producto. Un cable de menor tamaño provocará una caída en el voltaje de la línea, lo que dará como resultado la pérdida de la energía y sobrecalentamiento. Se recomienda un cable de calibre 12. Si se usa un cable de extensión en exteriores, debe estar marcado con el sufijo W-A que corresponde a su designación de tipo de cable. Por ejemplo, una designación SJTW-A indicaría que el cable es adecuado para uso en exteriores.

## Descripción general

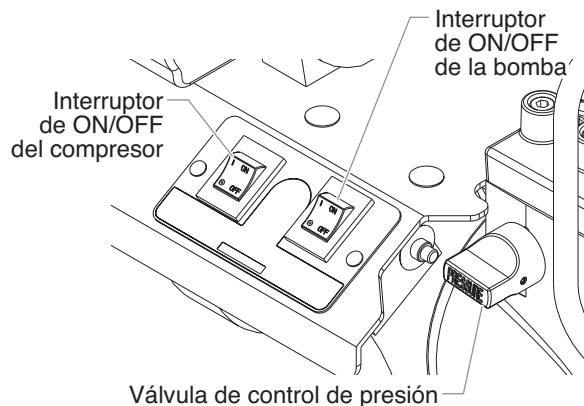
Este sistema de pulverización de fino acabado es lo suficientemente versátil como para usarse en trabajos de acabado a bajas presiones al igual que en pulverizaciones sin aire a altas presiones. El sistema incluye una bomba de diafragma de pintura y un compresor de aire que funcionan juntos a fin de brindar esta versatilidad.



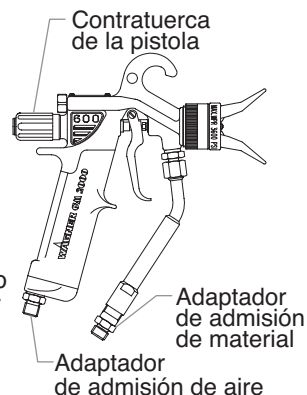
## Instalación

Siga este procedimiento para instalar el sistema de pulverización.

1. Asegúrese de que el interruptor ON/OFF de la bomba y el del compresor se encuentren en la posición OFF.



2. Asegúrese de que la válvula de control de presión se gire completamente en contra del sentido de las agujas del reloj, hasta su ajuste de presión mínimo.
3. Bloquee la pistola girando la contratuerca de la pistola en el sentido de las agujas del reloj (mirándola desde la parte trasera de la pistola) hasta que se detenga. Esto cierra la válvula de materiales de la pistola.
4. Con una llave, conecte al adaptador de salida de material, presente en la bomba, un mínimo de 50' (15,2 m) de manguera de nylon de 1/4" para pulverizaciones sin aire. Apriete firmemente.
5. Conecte la manguera de pulverización al adaptador de admisión de material en la pistola pulverizadora. Usando dos llaves (una en la pistola y la otra en la manguera), apriete firmemente.



## ⚠ ADVERTENCIA

**Asegúrese de que todas las mangueras sin aire y las pistolas pulverizadoras posean una conexión eléctrica a tierra calculadas para una presión de fluidos de al menos 2800 PSI (19 MPa).**

6. Conecte la manguera de aire al adaptador de salida del aire presente en el compresor. Apriete firmemente.
7. Conecte la manguera de aire al adaptador de admisión de aire en la pistola pulverizadora. Apriete firmemente.

## ⚠ ADVERTENCIA

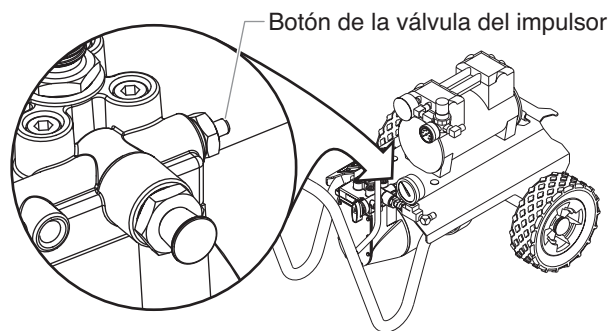
**Cambiar las conexiones de las mangueras puede ocasionar lesiones graves. Asegúrese de que la manguera de pulverización sin aire esté conectada desde la bomba de diafragma al adaptador de admisión de material presente en la pistola. Asimismo, asegúrese de que la manguera de aire esté conectada desde el compresor al adaptador de admisión de aire de la pistola.**

8. Asegúrese de que el servicio eléctrico sea de un mínimo de 120V, 15 amp.
9. Enchufe el cable de alimentación a una toma conectada adecuadamente a tierra a una distancia de al menos 25' (7,6 m) del área de pulverización.

## ⚠ PRECAUCION

**Use siempre un cable de extensión trifilar de un calibre de 12 con un enchufe conectado a tierra. Nunca retire el tercer terminal ni use un adaptador.**

10. Presione firmemente el botón de la válvula del impulsor, a un lado del alojamiento de la bomba, a fin de asegurarse que la válvula de bola de salida se desplaza libremente.



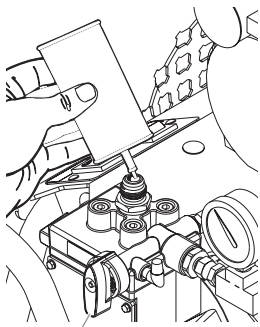
# Operación

Siga los siguientes procedimientos para poder operar el sistema de pulverización.

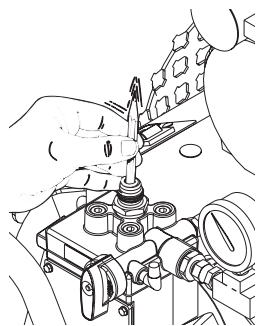
## Cebado de la bomba

### Preparación para cebar

1. Llene la válvula de admisión con agua o con un aceite doméstico ligero.
2. Asegúrese de que la válvula PRIME/SPRAY (CEBAR/PULVERIZAR) esté ajustada en PRIME y de que la válvula de control de presión esté girada en contra del sentido de las agujas del reloj a su menor ajuste de presión.
3. Encienda la bomba al mover el interruptor ON/OFF (ENCENDIDO/APAGADO) de la bomba a la posición ON.
4. Aumente la presión al girar la válvula de control de presión 1/2 vuelta en el sentido de las agujas del reloj.
5. Fuerce la apertura y cierre de la válvula de admisión presionándola con un destornillador o con el extremo para borrar de un lápiz. Debería subir y bajar cerca de 1/16 de pulgada (1,58 mm). Continúe hasta que el agua o el aceite sea aspirado hacia la bomba. Esto humedecerá las partes en movimiento y soltará todos los residuos de pintura antigua.
6. Ponga la palma de su mano sobre la entrada: gire la válvula de control de presión en el sentido de las agujas del reloj al ajuste máximo. Debe sentir la aspiración que proviene de la válvula de admisión. Si esto no ocurre, consulte el procedimiento de "Retiro y limpieza de la válvula de salida", presente en la sección Mantenimiento.
7. Gire la válvula de control de presión en contra del sentido de las agujas del reloj al ajuste de presión mínima.
8. Gire el interruptor ON/OFF de la bomba a la posición OFF.



Válvula PRIME/SPRAY



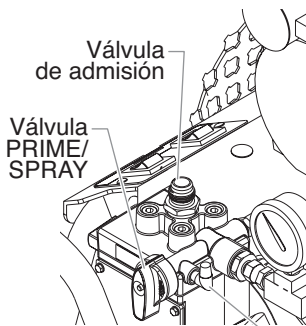
Válvula de admisión

Adaptador de la manguera de retorno

### Cebado

1. Conecte el conjunto de aspiración a la bomba.
  - a. Rosque la tuerca de la manguera de aspiración a la válvula de admisión presente en la bomba.
  - b. Rosque la manguera de retorno en el adaptador de la manguera de retorno presente en la bomba.
2. Ubique el conjunto de aspiración en el recipiente de pintura.
3. Gire la válvula de control de presión en contra del sentido de las agujas del reloj al ajuste de presión mínima.

**NOTA:** La bomba se puede usar con el accesorio de tolva opcional en lugar del conjunto de aspiración.



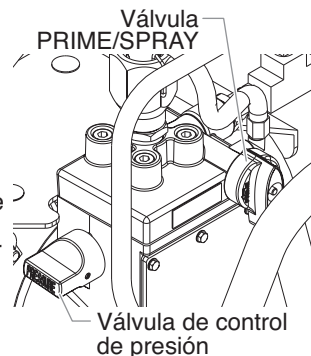
Válvula PRIME/SPRAY

Adaptador de la manguera de retorno

## PRECAUCION

Reduzca siempre la presión a cero antes de cambiar la posición de la válvula PRIME/SPRAY. No hacerlo puede causar daños al diafragma de la bomba de pintura.

4. Gire la válvula PRIME/SPRAY a PRIME.
5. Mueva el interruptor ON/OFF de la bomba a la posición ON.
6. Gire la válvula de control de presión en el sentido de las agujas de reloj hasta que se encuentre entre la presión media y la total. Deje cebar la unidad de 1 a 2 minutos luego de que la pintura comience a fluir a través de la manguera de retorno hasta que ya no haya burbujas.
7. Gire la válvula de control de presión en contra del sentido de las agujas del reloj al ajuste de presión mínima.
8. Mueva el interruptor ON/OFF de la bomba a la posición OFF.



Válvula de control de presión

## PRECAUCION

Si la válvula de control de presión se reduce a cero, y la válvula PRIME/SPRAY se encuentra aún en SPRAY mientras la válvula se encuentra en funcionamiento, habrá alta presión en la manguera y en la pistola pulverizadora hasta que la válvula PRIME/SPRAY se gire hacia PRIME o hasta que se apriete el gatillo de la pistola pulverizadora a fin de aliviar la presión.

## Pintura

El sistema de pulverización AirCoat tiene dos modos de pintura diferentes. El modo AirCoat se usa para trabajos de acabado con materiales de baja o media viscosidad (aceites, tinturas, lacas, etc...). El modo sin aire se usa para pinturas en general con materiales de alta viscosidad (látex).

### Pintura en modo AirCoat

Use el modo AirCoat para trabajos de acabado a bajas presiones (presión de la bomba de hasta 1000 PSI).

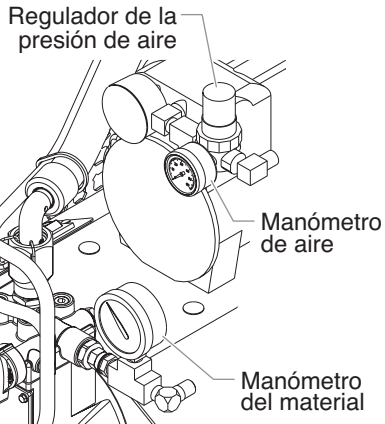
1. Asegúrese de que la manguera de pulverización sin aire no tenga torceduras y de que esté lejos de objetos cortantes.
2. Gire la válvula de control de presión en contra del sentido de las agujas del reloj al ajuste mínimo.
3. Gire el regulador de la presión de aire del compresor en contra del sentido de las agujas del reloj al ajuste mínimo.
4. Mueva el interruptor ON/OFF del compresor a la posición ON.
5. Mueva el interruptor ON/OFF de la bomba a la posición ON.
6. Gire la válvula PRIME/SPRAY (CEBAR/PULVERIZAR) a SPRAY.
7. Gire la válvula de control de presión en el sentido de las agujas del reloj hasta que en el manómetro del material se lea 400 PSI. La manguera de pintura se debe endurecer en la medida que pase pintura a través de ella.
8. Gire el regulador de la presión de aire en el sentido de las agujas del reloj hasta que en el manómetro del material se lea 20 PSI.



Interruptor de ON/OFF de la bomba

Interruptor de ON/OFF del compresor

- Desbloquee la pistola girando la contratuerca de la pistola en contra del sentido de las agujas del reloj (mirándola desde la parte trasera de la pistola) tres vueltas completas. Esto abre la válvula de materiales de la pistola.



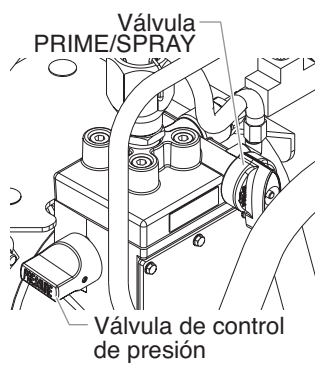
- Oprima el gatillo de la pistola pulverizadora para eliminar el aire que haya en la manguera del material.
- Cuando el material alcance la punta de pulverización, pulverice en un área de prueba para verificar el patrón de pulverización.
- Ajuste el patrón de pulverización al tamaño y atomización deseados.
  - Use la válvula de control de presión para controlar el flujo de pintura hacia la pistola.
  - Use el regulador de la presión de aire para controlar la cantidad de aire para la atomización disponible para la pistola.
  - Use la válvula de ajuste de patrón para afinar el patrón de pulverización.

**NOTA: Consulte el Manual del propietario de la pistola pulverizadora para obtener mayor información sobre su operación.**

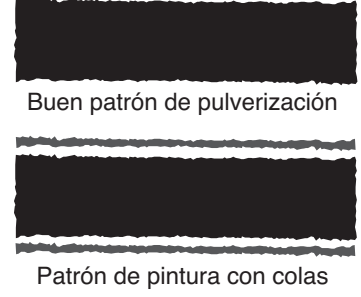
### Pintura en modo sin aire

Use el modo sin aire para pulverizaciones a alta presión en general (presión de la bomba desde 500 a 2000 PSI).

- Asegúrese de que la manguera de pulverización sin aire no tenga torceduras y de que esté lejos de objetos cortantes.
- Gire la válvula de control de presión en contra del sentido de las agujas del reloj al ajuste mínimo.
- Gire la válvula PRIME/SPRAY a SPRAY.
- Mueva el interruptor ON/OFF de la bomba a la posición ON.
- Gire la válvula de control de presión en el sentido de las agujas del reloj al ajuste máximo. La manguera de pintura se debe endurecer en la medida que pase pintura a través de ella.
- Desbloquee la pistola girando la contratuerca de la pistola en contra del sentido de las agujas del reloj (mirándola desde la parte trasera de la pistola) tres vueltas completas. Esto abre la válvula de materiales de la pistola.
- Oprima el gatillo de la pistola pulverizadora para eliminar el aire que haya en la manguera del material.
- Cuando el material alcance la punta de pulverización, pulverice en un área de prueba para verificar el patrón de pulverización.



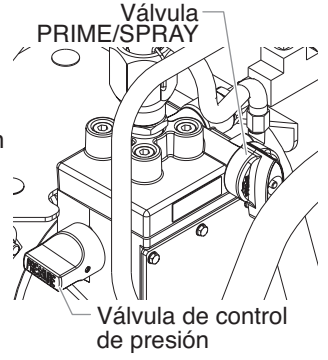
- Use el mínimo ajuste de presión que se necesite para obtener un buen patrón de pulverización. Si se ajusta demasiada presión, el patrón de pulverización será demasiado suave. Si se ajusta demasiada poca presión, aparecerán colas en la pulverización o la pintura salpicará en "esputos" en lugar de en una pulverización fina.



### Procedimiento para el alivio de la presión

Siga este procedimiento luego de haber ensamblado la unidad y antes de realizar cualquier operación que involucre a la pistola pulverizadora, como por ejemplo limpieza y mantenimiento o el cambio de las puntas o accesorios.

- Gire la válvula de control de presión en contra del sentido de las agujas del reloj al ajuste mínimo.
- Gire la válvula PRIME/SPRAY a la posición PRIME.
- Oprima el gatillo de la pistola para retirar cualquier presión que todavía pueda quedar en la manguera.
- Bloquee la pistola girando la contratuerca de la pistola en el sentido de las agujas del reloj (mirándola desde la parte trasera de la pistola) hasta que se detenga. Esto cierra la válvula de materiales de la pistola.



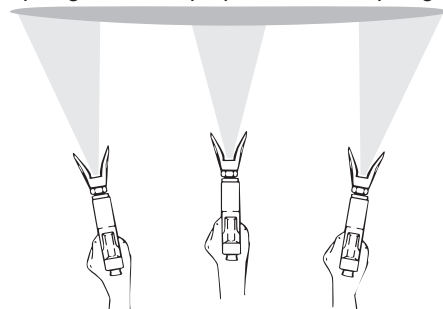
**ADVERTENCIA**

**Peligro de inyección. No realice pulverizaciones sin haber instalado la protección de la punta. NUNCA oprima el gatillo de la pistola a menos que la punta se encuentre girada completamente a la posición para pulverizar o en aquella destrabada. SIEMPRE enganche el bloqueo del gatillo de la pistola antes de retirar, de reemplazar o de limpiar la punta.**

# Técnica de pulverización

La clave de un buen trabajo de pintura es proporcionar una capa uniforme sobre la totalidad de la superficie. Esto se logra dando descargas uniformes. Mantenga el brazo en movimiento a una velocidad constante y mantenga la pistola pulverizadora a una distancia constante de la superficie. La mejor distancia para realizar pulverizaciones es de 10 a 12 pulgadas (de 25 a 30 cm) entre la punta de pulverización y la superficie.

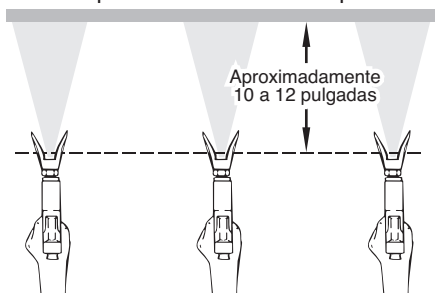
Capa ligera    Capa pesada    Capa ligera



No flexione la muñeca al momento de pulverizar.

Mantenga la pistola pulverizadora en ángulo recto respecto a la superficie. Esto quiere decir que debe mover hacia delante y hacia atrás el brazo completo en lugar de sólo flexionar la muñeca.

Cubra completamente con una capa uniforme

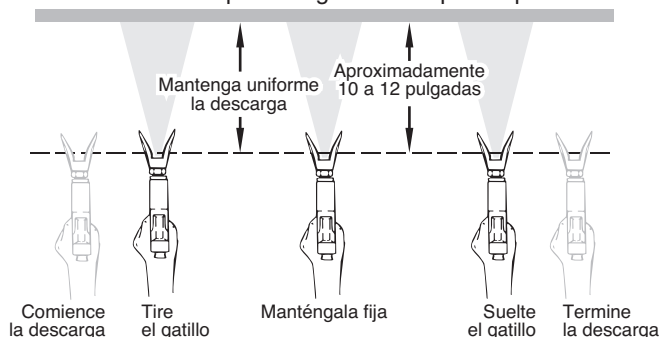


Mantenga la descarga suave y a una velocidad constante.

Mantenga la pistola pulverizadora perpendicular a la superficie, de otro modo un extremo del patrón será más grueso que el otro.

Se debe oprimir el gatillo de la pistola pulverizadora encendiéndola y apagándola con cada descarga. Esto ahorrará pintura y evitará que ésta se acumule al final de la descarga. No oprima el gatillo de la pistola a la mitad de una descarga. Esto dará como resultado una pulverización desigual y una cobertura llena de manchones.

Forma adecuada de oprimir el gatillo de la pistola pulverizadora



Sobreponga cada descarga en alrededor de un 30%. Esto garantizará una capa uniforme.

Cuando pare de pintar, cierre el bloqueo del gatillo de la pistola, gire al válvula de control de presión de aire en contra del sentido de las agujas del reloj hasta su ajuste mínimo y ajuste el botón de cebado en PRIME. Gire el interruptor del motor hasta OFF y desenchufe la pulverizadora.

Si cree que se alejará durante más de una hora, siga el procedimiento de limpieza a corto plazo descrito en la sección Limpieza de este manual.

## Limpieza

### Almacenamiento durante la noche

#### Detención

1. Gire la válvula de control de presión en contra del sentido de las agujas del reloj al ajuste mínimo.
2. Gire la válvula PRIME/SPRAY (CEBAR/PULVERIZAR) a PRIME.
3. Mueva el interruptor ON/OFF (ENCENDIDO/APAGADO) de la bomba a la posición OFF.
4. Mueva el interruptor ON/OFF del compresor a la posición OFF.
5. Espere un par de segundos, luego oprima el gatillo de la pistola en el recipiente de materiales para liberar la presión de fluidos acumulada en la bomba y la presión del aire del compresor.
6. Bloquee la pistola girando la contratuerca de la pistola en el sentido de las agujas del reloj (mirándola desde la parte trasera de la pistola) hasta que se detenga. Esto cierra la válvula de materiales de la pistola.
7. Desenchufe la unidad.
8. Sólo en caso de trabajar con materiales a base de látex, vierta 1/2 taza de agua en la parte superior de la pintura a fin de evitar que ésta se seque. Para otros materiales, selle el recipiente de material, manteniendo la manguera de retorno en la pintura.
9. Envuelva la pistola pulverizadora en un paño húmedo y póngala en una bolsa plástica. Selle herméticamente la bolsa.
10. Ubique la unidad en un lugar seguro alejado del sol que sirva de almacenamiento a corto plazo.



#### Arranque

1. Retire la pistola de la bolsa plástica.
2. Para los materiales de látex, revuelva el agua en la pintura. Para todos los otros materiales, retire la cubierta del recipiente de materiales y revuelva la pintura.
3. Realice el procedimiento correspondiente en la sección "Pintura" de este manual para el tipo de pulverización que se realizará.

### Almacenamiento a largo plazo

**⚠ ADVERTENCIA**

No permita que se acumule pintura en el motor o éste se sobrecalentará. No permita que entren en contacto solventes inflamables con el motor o podrían inflamarse.

**NOTA:** Si pulveriza con pintura de látex, use agua jabonosa tibia para limpiar. Si usa aceite o pinturas a base de alquid, use volátiles minerales o diluyente de pintura.

**⚠ PRECAUCION**

No use volátiles minerales o diluyente de pintura en pintura de látex o la mezcla se convertirá en una sustancia como jalea que es difícil de quitar.



## Limpeza del tubo de aspiración

1. Gire la válvula de control de presión en contra del sentido de las agujas del reloj hasta el ajuste mínimo.
2. Gire la válvula PRIME/SPRAY a PRIME.
3. Mueva el interruptor ON/OFF de la bomba a la posición OFF.
4. Mueva el interruptor ON/OFF del compresor a la posición OFF.
5. Espere un par de segundos, luego oprima el gatillo de la pistola en el recipiente de materiales para liberar la presión de fluidos acumulada en la bomba, así como también la presión del aire del compresor.
6. Bloquee la pistola girando la contratuerca de la pistola en el sentido de las agujas del reloj (mirándola desde la parte trasera de la pistola) hasta que se detenga. Esto cierra la válvula de materiales de la pistola.
7. Retire la manguera de aspiración del material y manténgala sobre una cubeta de agua o solvente. Deje la manguera de retorno en la cubeta del material.



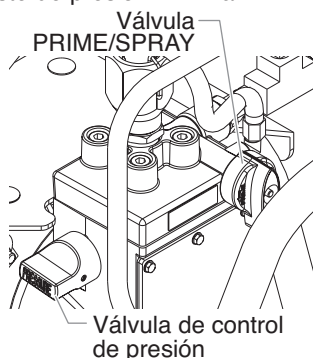
## ⚠ PRECAUCION

**No use volátiles minerales ni diluyente de pintura en pintura de látex, la mezcla se convertirá en una sustancia como jalea que es difícil de quitar.**

8. Mueva el interruptor ON/OFF de la bomba a la posición ON.
9. Gire la válvula de control de presión a la mitad de la presión máxima. Esto arrastrará el material restante en la manguera de aspiración a través de la bomba, por la manguera de retorno y hasta la cubeta del material.
10. Gire la válvula de control de presión en contra del sentido de las agujas del reloj al ajuste mínimo.
11. Retire la punta de pulverización y la protección y colóquelas en un recipiente con el solvente adecuado.
12. Coloque la manguera de aspiración y la manguera de retorno conectadas en el recipiente con agua o solvente adecuado.
13. Aumente la presión a la mitad del máximo. Deje que el agua o solvente circule durante 2 a 3 minutos para sacar la pintura de la bomba, de la manguera de aspiración y de la manguera de retorno.

## Limpeza de la manguera de pintura

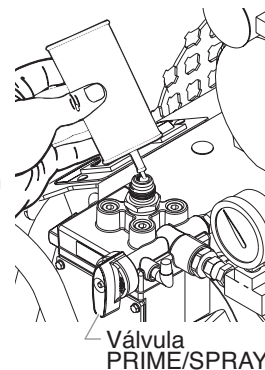
1. Gire la válvula de control de presión en contra del sentido de las agujas del reloj al ajuste de presión mínima.
2. Gire la válvula PRIME/SPRAY a SPRAY.
3. Desbloquee la pistola girando la contratuerca de la pistola tres vueltas completas en contra del sentido de las agujas del reloj (mirándola desde la parte trasera de la pistola). Esto abre la válvula de materiales de la pistola.
4. Oprima cuidadosamente el gatillo de la pistola sin la punta de pulverización, en contra del interior del recipiente de materiales.
5. Lentamente gire la válvula de control de presión en el sentido de las agujas del reloj hasta que el material comience a fluir dentro del recipiente. Tan pronto como el agua o el solvente comiencen a entrar en el recipiente, suelte el gatillo.
6. Apunte al agua o solvente limpio y continúe circulando por otros 5 minutos para limpiar completamente la manguera, la bomba y la pistola pulverizadora.



7. Gire la válvula de control de presión en contra del sentido de las agujas del reloj al ajuste mínimo.
8. Gire la válvula PRIME/SPRAY a PRIME.
9. Oprima el gatillo de la pistola en el recipiente de agua o solvente para liberar la presión de fluidos acumulada en la bomba.
10. Bloquee la pistola girando la contratuerca de la pistola en el sentido de las agujas del reloj (mirándola desde la parte trasera de la pistola) hasta que se detenga. Esto cierra la válvula de materiales de la pistola.
11. Mueva el interruptor ON/OFF de la bomba a la posición OFF.

## Limpeza final

1. Retire el conjunto de aspiración de la válvula de admisión.
2. Limpie los hilos de la válvula de admisión con un paño húmedo.
3. Llene la válvula de admisión con agua o con un aceite doméstico ligero.
4. Asegúrese de que la válvula PRIME/SPRAY esté ajustada en PRIME y de que la válvula de control de presión esté girada en contra del sentido de las agujas del reloj a su ajuste mínimo de presión.
5. Encienda la bomba moviendo el interruptor ON/OFF de la bomba a la posición ON.
6. Aumente la presión girando la válvula de control de presión 1/2 vuelta en el sentido de las agujas del reloj.
7. Gire la válvula PRIME/SPRAY a SPRAY para distribuir el aceite.



**NOTA: La limpieza y lubricación adecuadas de la bomba luego de su uso son los pasos más importantes que se deben realizar para asegurar un funcionamiento adecuado luego del almacenamiento.**

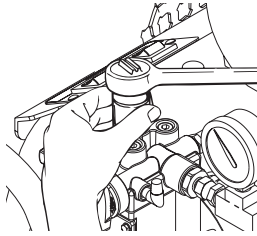
8. Gire la válvula de control de presión en contra del sentido de las agujas del reloj al ajuste mínimo.
9. Gire la válvula PRIME/SPRAY a PRIME.
10. Desbloquee y oprima el gatillo de la pistola para retirar cualquier presión que todavía pueda quedar en la manguera.
11. Bloquee la pistola girando la contratuerca de la pistola en el sentido de las agujas del reloj (mirándola desde la parte trasera de la pistola) hasta que se detenga. Esto cierra la válvula de materiales de la pistola.
12. Apague la bomba moviendo el interruptor ON/OFF de la bomba a la posición OFF.
13. Retire la manguera del material y la manguera de aire de la pistola pulverizadora por medio de dos llaves ajustables. Consulte el Manual del propietario para obtener instrucciones de limpieza para la pistola.
14. Limpie toda la unidad, la manguera y la pistola con un paño húmedo para retirar la pintura acumulada.

## Mantenimiento

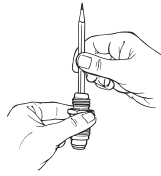
Siga estos procedimientos cuando encuentre los inconvenientes que se indican en la sección de solución de problemas.

### Retiro y limpieza de la válvula de admisión

1. Realice el procedimiento para el alivio de la presión, luego apague y desenchufe la unidad.
2. Retire el conjunto de la válvula de admisión usando una llave de cubo de 27 milímetros.
3. Pruebe el movimiento de la válvula empujándola desde el extremo abierto del alojamiento de la válvula con un destornillador o con el extremo para borrar de un lápiz. Debería moverse cerca de 1/16 de pulgada (1,58 mm). Si no se mueve, debe ser limpiada o reemplazada.



**NOTA:** Se debe lubricar la válvula de admisión después de cada trabajo. Esto reducirá o eliminará problemas de cebado la próxima vez que se use la unidad y además prolongará la vida útil de la válvula.



4. Limpie completamente el conjunto de la válvula con agua o con el solvente adecuado. Use un cepillo pequeño.
5. Si se limpió adecuadamente la válvula y el agua gotea del fondo, la válvula se desgastó y es necesario reemplazarla. Una válvula adecuadamente asentada, llena de agua y mantenida en posición vertical no goteará.
6. Instale una válvula nueva o limpia en el bloque de la bomba y luego llénela con aceite ligero o con solvente.

### Retiro y limpieza de la válvula de salida

Puede ser necesario retirar y limpiar la válvula de salida o reemplazar las piezas del interior de la válvula desgastada por el uso normal.

1. Retire el cuerpo de la válvula de salida con una llave.
2. Retire y limpie el tope esférico y el pequeño resorte en el interior de la válvula por medio de un gancho metálico o pinzas. Reemplace el resorte si está roto o desgastado.

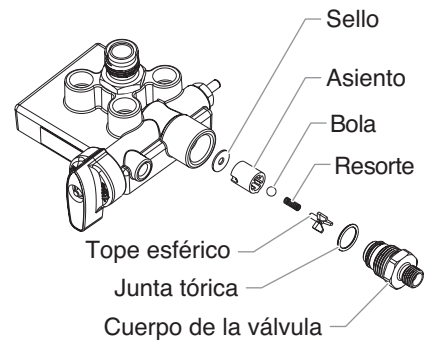
**NOTA:** El resorte se fabrica a una tensión muy específica. No lo estire. No coloque un sustituto no autorizado. Consulte el diagrama de las piezas del conjunto de la bomba de pintura para obtener el número de las piezas de repuesto adecuadas. En la folletería se incluye un resorte extra.

3. Retire el conjunto de asiento y bola.
4. Limpie a fondo todas las piezas. Si la bola o el asiento muestran cualquier señal de desgaste o daño, reemplácelos con piezas nuevas. Esta bola de carburo se debe sellar firmemente contra su asiento para que la válvula funcione adecuadamente.
5. Antes de volver a ensamblar cubra todas las piezas con una delgada capa de aceite ligero.

**NOTA:** Cuando vuelva a ensamblar, alinee la estría del asiento con la ranura en el alojamiento de la bomba.

6. Deje caer la bola de la válvula.
7. Inserte el protector y el resorte y vuelva a colocar el cuerpo de la válvula. Asegúrese de que la junta tórica esté bien colocada y de que la lengua de la tapa se ajuste en el interior del resorte.

8. Apriete firmemente el cuerpo de la válvula con una llave ajustable. No apriete excesivamente.



**NOTA:** Es casi imposible detectar visualmente el desgaste en la bola. Para probar si un conjunto de válvula de salida está desgastado, gire la válvula de control de presión en el sentido de las agujas del reloj hasta su ajuste máximo y deje correr agua sólo a través de la bomba durante 10 a 15 minutos, sin oprimir el gatillo de la pistola. Si la válvula está defectuosa, el tapón terminal se sentirá muy caliente al tacto. Si está funcionando correctamente, permanecerá aproximadamente a la misma temperatura del agua que corre a través de ésta.

# Solución de problemas

## Problema

La unidad no arranca.

## Causa

1. La unidad no está enchufada.
2. El interruptor ON/OFF (ENCENDIDO/APAGADO) está ajustado en OFF.
3. Se quemó un fusible de la unidad.
4. El enchufe de la pared tiene bajo voltaje o no tiene voltaje.
5. Se apagó la unidad mientras todavía estaba con presión.
6. El cable de extensión está dañado o tiene poca capacidad.
7. Se desconectó la sobrecarga térmica de la unidad.
8. Hay un problema con el motor.

## Solución

1. Enchufe la unidad.
2. Gire el interruptor ON/OFF de la bomba a la posición ON.
3. Reemplace el fusible quemado con el repuesto adecuado.
4. Pruebe adecuadamente el voltaje del suministro de energía.
5. Gire la válvula PRIME/SPRAY a PRIME.
6. Reemplace el cable de extensión.
7. Deje enfriar el motor y traslade la unidad a un lugar más fresco.
8. Lleve la unidad a un Centro de servicio técnico autorizado de SprayTECH.

La bomba arranca pero no arrastra pintura cuando la válvula PRIME/SPRAY (SEBAR/PULVERIZAR) está ajustada en PRIME.

1. La bomba no se ceba adecuadamente o ha perdido cebado.
2. La cubeta de pintura está vacía o la manguera de aspiración no está totalmente sumergida en la pintura.
3. El filtro de aspiración está obstruido.
4. La manguera de aspiración está suelta en la válvula de admisión.
5. La válvula de admisión está atascada.
6. La válvula de salida está atascada.
7. La válvula PRIME/SPRAY está tapada.
8. La válvula de admisión está desgastada o dañada.
9. Hay un problema con el diafragma.
10. El nivel de aceite hidráulico está bajo o vacío.

1. Intente cebar otra vez la bomba.
2. Sumerja la manguera de aspiración en la pintura.
3. Limpie el filtro del conjunto de aspiración.
4. Limpie la conexión del tubo y apriételo firmemente.
5. Limpie la válvula de admisión.
6. Limpie la válvula de salida y reemplace cualquier pieza desgastada.
7. Lleve la unidad a un Centro de servicio técnico autorizado de SprayTECH.
8. Reemplace la válvula de admisión.
9. Lleve la unidad a un Centro de servicio técnico autorizado de SprayTECH.
10. Lleve la unidad a un Centro de servicio técnico autorizado de SprayTECH.

La bomba arrastra pintura pero la presión cae cuando se oprime el gatillo de la pistola.

1. La punta de pulverización está desgastada.
2. El filtro del conjunto de aspiración está obstruido.
3. El filtro de la pistola o de la punta de pulverización está tapada.
4. La pintura es demasiado pesada o gruesa.
5. El conjunto de la válvula de salida está sucio o desgastado.
6. El conjunto de la válvula de admisión está dañado o desgastado.

1. Reemplace la punta de pulverización con una nueva.
2. Limpie el filtro del conjunto de aspiración.
3. Limpie o reemplace el filtro correspondiente. Tenga siempre a mano filtros extras.
4. Diluya o filtre la pintura.
5. Limpie o reemplace el conjunto de la válvula de salida.
6. Reemplace la válvula de admisión.

Aparecen colas en el patrón de pintura.

1. La presión de fluidos se ajustó demasiado bajo.
2. La presión de aire se ajustó demasiado bajo.
3. La pistola, la punta o el filtro de aspiración está tapado.
4. La manguera de aspiración está suelta en la válvula de admisión.
5. La punta está desgastada.
6. La pintura es demasiado espesa.

1. Aumente la presión de fluidos.
2. Aumente la presión de aire.
3. Limpie los filtros.
4. Apriete el adaptador de la manguera de aspiración.
5. Reemplace la punta de pulverización.
6. Diluya la pintura.

La sobrecarga térmica desconectó y apagó la bomba.

1. El motor se sobrecalentó.
2. El cable de extensión es demasiado largo o de un calibre muy pequeño.
3. Se acumuló pintura en el motor.
4. Se arrancó el motor mientras la unidad estaba bajo presión.
5. Se dejó la unidad bajo la luz del sol.

1. Deje enfriar durante 30 minutos.
2. Deje enfriar durante 30 minutos y reemplace el cable de extensión con un cable de menor extensión o de mayor calibre.
3. Saque la pintura del motor.
4. Vuelva a arrancar la unidad en el modo PRIME.
5. Saque a la unidad del sol.

El compresor no arranca.

1. El interruptor ON/OFF del compresor está en la posición OFF.
2. El interruptor ON/OFF del compresor está malo.
3. Problema del compresor.
4. El orificio de descarga bajo el regulador de aire está bloqueado.

1. Mueva el interruptor ON/OFF del compresor a la posición ON.
2. Lleve la unidad a un Centro de servicio técnico autorizado de SprayTECH.
3. Lleve la unidad a un Centro de servicio técnico autorizado de SprayTECH.
4. Limpie el orificio de descarga.

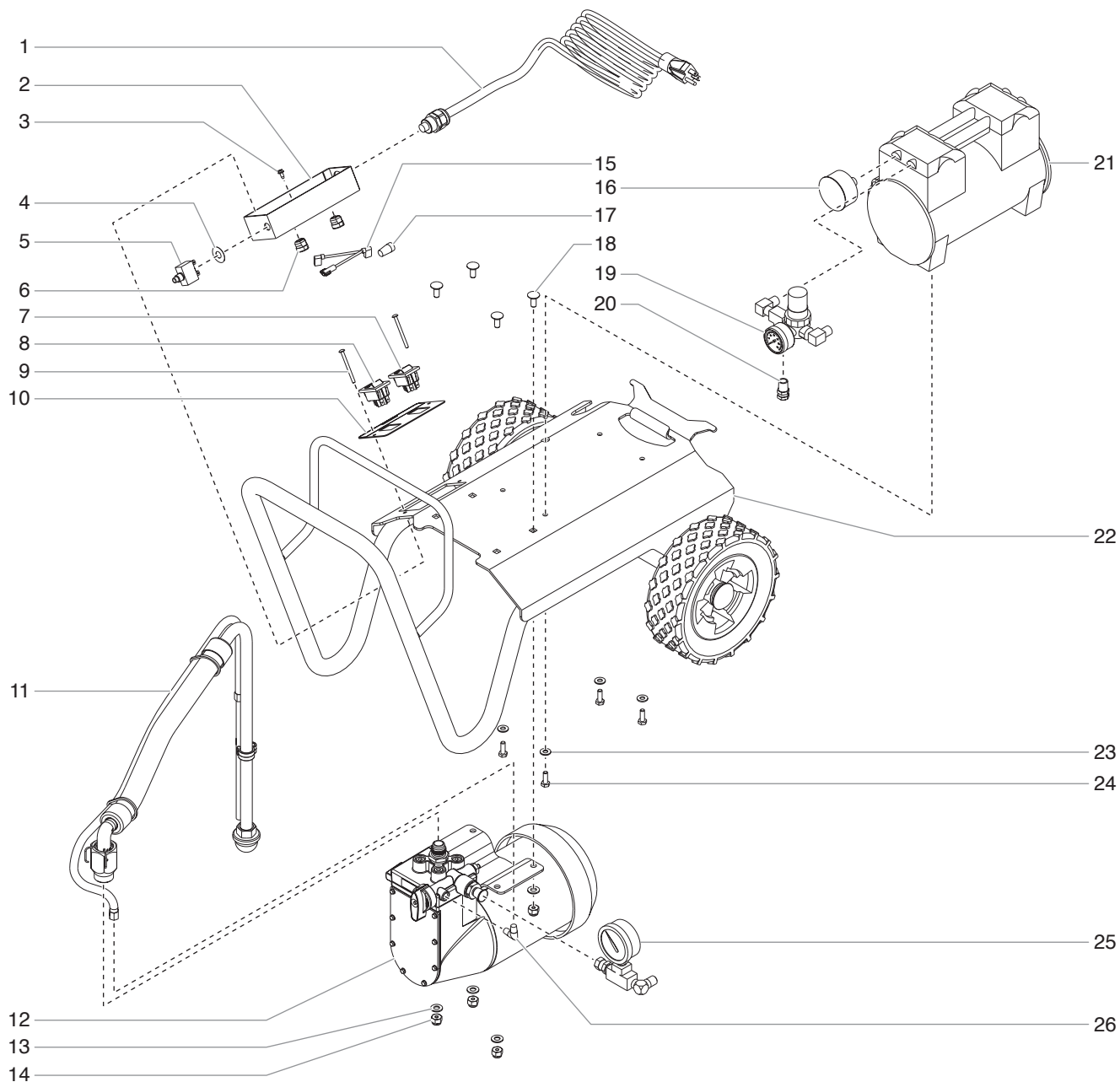
El compresor arranca pero no con el aire suficiente.

1. El ajuste del regulador de aire es demasiado bajo.
2. La pintura es demasiado espesa.
3. La válvula de aire en la pistola está cerrada.
4. La válvula de seguridad está mala.

1. Aumente el ajuste del regulador de aire.
2. Diluya la pintura.
3. Abra la válvula de aire de la pistola. Consulte el Manual del propietario de la pistola.
4. Instale una nueva válvula de seguridad.

# Parts List • Liste de pièces • Lista de piezas

## Main Assembly • Montage principal • Conjunto principal



### English

Item	Part #	Description	Quantity	Item	Part #	Description	Quantity
1	0551416	Power cord.....	1	14	0295615	Lock nut.....	4
2	0508299	Electrical housing.....	1	15	0551415	Wire assembly.....	1
3	9800340	Ground screw.....	1	16	0551376	Compressor filter.....	1
4	0507854	Label, "Press to Reset".....	1	17	9850663	Wire nut.....	1
5	0507753	Circuit breaker, 15A.....	1	18	0551354	Carriage screw.....	4
6	0276363	Strain relief.....	2	19	0551418	Air regulator set (includes item 20).....	1
7	9850936	Compressor ON/OFF switch.....	1	20	0551361	Relief valve.....	1
8	9850936	Pump ON/OFF switch.....	1	21	0508609	Air compressor (includes item 16).....	1
9	0551378	Screw.....	2	22	0508190	Cart assembly.....	1
10	-----	Electrical cover.....	1	23	0295693	Flat washer.....	4
11	0508194	Suction set assembly.....	1	24	0295695	Hex screw.....	4
12	0508192	Diaphragm pump.....	1	25	0551101	Pressure gauge assembly.....	1
13	0088372	Flat washer.....	4	26	0551356	Elbow, 90°.....	1

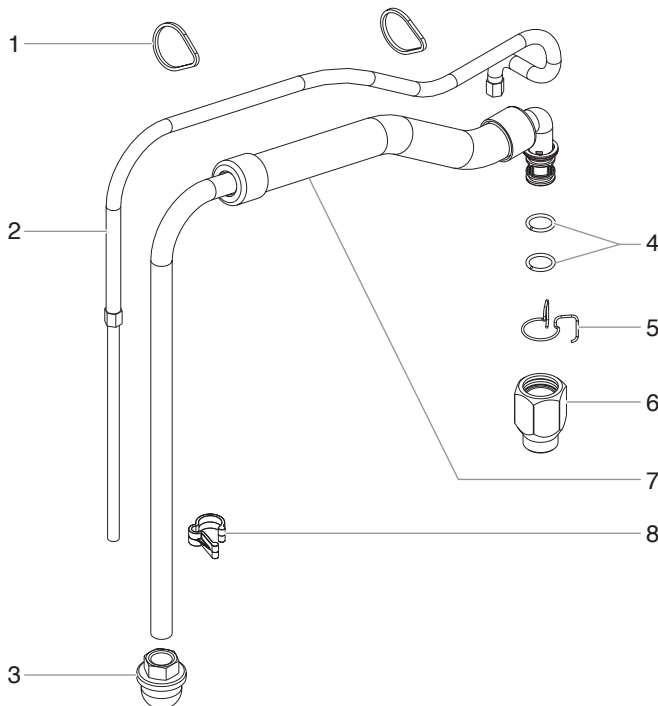
## Français

Article	N° de pièce	Description	Quantité	Article	N° de pièce	Description	Quantité
1	0551416	Cordon d'alimentation.....	1	14	0295615	Écrou de blocage.....	4
2	0508299	Boîtier électrique.....	1	15	0551415	Filage.....	1
3	9800340	Vis de mise à la terre.....	1	16	0551376	Filtre du compresseur.....	1
4	0507854	Étiquette « Appuyez pour remettre l'appareil en marche ».....	1	17	9850663	Serre-fils.....	1
5	0507753	Coupe-circuit, 15 A.....	1	18	0551354	Vis du chariot.....	4
6	0276363	Réducteur de tension.....	2	19	0551418	Jeu de régulateur d'air (comprend l'article 20).....	1
7	9850936	Interrupteur MARCHÉ/ARRÊT (ON/OFF) du compresseur.....	1	20	0551361	Soupape de décharge.....	1
8	9850936	Interrupteur MARCHÉ/ARRÊT (ON/OFF) de la pompe.....	1	21	0508609	Compresseur d'air (comprend l'article 16).....	1
9	0551378	Vis.....	2	22	0508190	Chariot.....	1
10	-----	Couvercle du circuit électrique.....	1	23	0295693	Rondelle plate.....	4
11	0508194	Ensemble d'aspiration.....	1	24	0295695	Vis hexagonale.....	4
12	0508192	Pompe à diaphragme.....	1	25	0551101	Ensemble de jauge de pression.....	1
13	0088372	Rondelle plate.....	4	26	0551356	Coude, 90°.....	1

## Español

Artículo	Pieza #	Descripción	Cantidad	Artículo	Pieza #	Descripción	Cantidad
1	0551416	Cable de alimentación.....	1	14	0295615	Contratuera.....	4
2	0508299	Alojamiento eléctrico.....	1	15	0551415	Conjunto de alambres.....	1
3	9800340	Tornillo de conexión a tierra.....	1	16	0551376	Filtro del compresor.....	1
4	0507854	Etiqueta, "Press to Reset" (Presione para reiniciar).....	1	17	9850663	Tuerca para hilos.....	1
5	0507753	Disyuntor, 15A.....	1	18	0551354	Tornillo del carro.....	4
6	0276363	Alivio de la tensión.....	2	19	0551418	Conjunto del regulador de aire (incluye el artículo 20).....	1
7	9850936	Interruptor ON/OFF del compresor.....	1	20	0551361	Válvula de alivio.....	1
8	9850936	Interruptor ON/OFF (ENCENDIDO/APAGADO) de la bomba.....	1	21	0508609	Compresor de aire (incluye el artículo 16).....	1
9	0551378	Tornillo.....	2	22	0508190	Conjunto del carro.....	1
10	-----	Cubierta eléctrica.....	1	23	0295693	Arandela plana.....	4
11	0508194	Conjunto de aspiración.....	1	24	0295695	Tornillo hexagonal.....	4
12	0508192	Bomba de diafragma.....	1	25	0551101	Conjunto del manómetro.....	1
13	0088372	Arandela plana.....	4	26	0551356	Tubo acodado, 90°.....	1

## Suction Set • Ensemble d'aspiration • Conjunto de aspiración (P/N 0508194)



## English

Item	Part #	Description	Quantity
1	9850638	Tie wrap.....	2
2	0508614	Return hose assembly.....	1
3	0295565	Inlet screen.....	1
4	9871105	O-Ring.....	2
5	9822526	Retaining clip.....	1
6	0551362	Nut.....	1
7	0551102	Suction hose assembly.....	1
8	0279459	Return hose clip.....	1

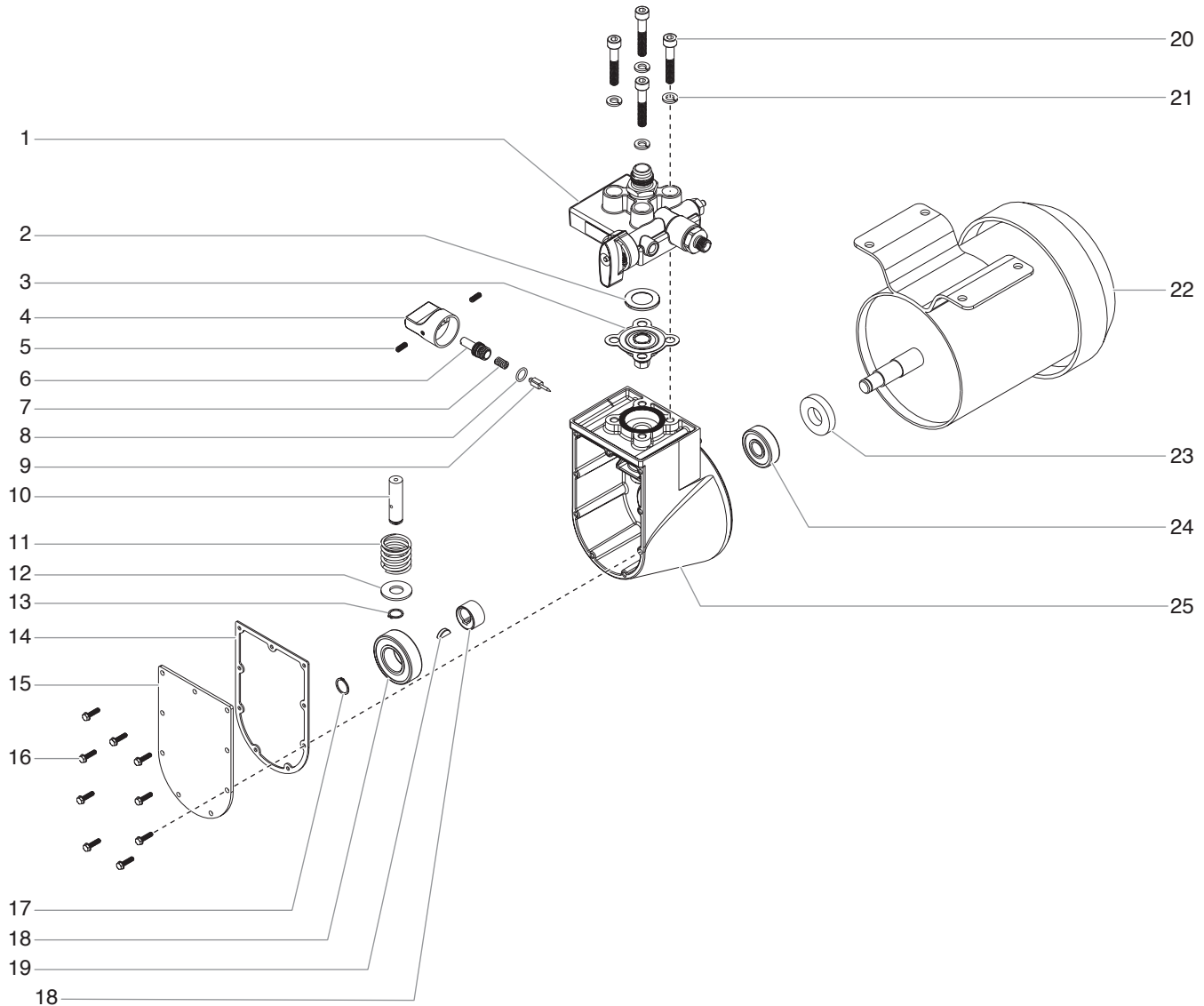
## Français

Article	N° de pièce	Description	Quantité
1	9850638	Attache autobloquante.....	2
2	0508614	Ensemble du tuyau de retour.....	1
3	0295565	Crépine d'entrée.....	1
4	9871105	Joint torique.....	2
5	9822526	Clip de retenue.....	1
6	0551362	Écrou.....	1
7	0551102	Ensemble du tuyau d'aspiration.....	1
8	0279459	Attache du tuyau de retour.....	1

## Español

Artículo	Pieza #	Descripción	Cantidad
1	9850638	Arrollamiento de unión.....	2
2	0508614	Conjunto de la manguera de retorno.....	1
3	0295565	Pantalla de admisión.....	1
4	9871105	Junta tórica.....	2
5	9822526	Sujetador de retención.....	1
6	0551362	Tuerca.....	1
7	0551102	Conjunto de la manguera de aspiración.....	1
8	0279459	Sujetador de la manguera de retorno.....	1

# Diaphragm Pump • Pompe à diaphragme • Bomba de diafragma (P/N 0508192)



## English

Item	Part #	Description	Quantity	Item	Part #	Description	Quantity
1	0508193	Pump head .....	1	15	0278341	Hydraulic cover .....	1
2	0270494	Diaphragm ring .....	1	16	9800049	Screw .....	9
3	0278240	Diaphragm .....	1	17	0047393	Retaining ring .....	1
4	0288775	Pressure control knob .....	1	18	0090031	Eccentric sleeve and bearing assembly .....	1
5	9801109	Set screw .....	2	19	0089829	Shaft key .....	1
6	0270529	Valve stem .....	1	20	9900355	Socket screw .....	4
7	0047373	Pressure regulating spring .....	1	21	9921601	Lock washer .....	4
8	0089518	O-ring .....	1	22	0508612	Motor, 1/3HP (includes items 26 and 27) ...	1
9	0089475	Pressure valve needle .....	1	23	0089930	Seal .....	1
10	0278339	Hydraulic piston .....	1	24	0089929	Ball bearing .....	1
11	0005311	Piston spring .....	1	25	0278237	Hydraulic housing assembly (includes items 23 and 24) .....	1
12	0270548	Piston washer .....	1	26	0270462	Fan (not shown) .....	1
13	0089456	Retainer .....	1	27	0270612	Fan cover (not shown) .....	1
14	0278359	Gasket .....	1				

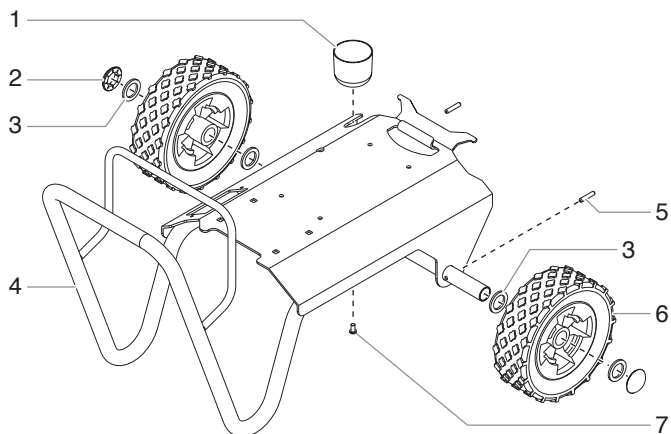
## Français

Article	N° de pièce	Description	Quantité	Article	N° de pièce	Description	Quantité
1	0508193	Tête de pompe .....	1	16	9800049	Vis .....	9
2	0270494	Bague du diaphragme .....	1	17	0047393	Bague de retenue .....	1
3	0278240	Diaphragme .....	1	18	0090031	Manchon excentrique et roulement .....	1
4	0288775	Bouton de réglage de la pression .....	1	19	0089829	Clé de l'arbre .....	1
5	9801109	Vis de réglage .....	2	20	9900355	Vis creuse .....	4
6	0270529	Tige de soupape .....	1	21	9921601	Rondelle d'arrêt .....	4
7	0047373	Ressort de réglage de la pression .....	1	22	0508612	Moteur, 1/3 HP (comprend les articles 26 et 27) .....	1
8	0089518	Joint torique .....	1	23	0089930	Joint .....	1
9	0089475	Pointeau de soupape de pression .....	1	24	0089929	Roulement à billes .....	1
10	0278339	Piston hydraulique .....	1	25	0278237	Carter hydraulique (comprend les articles 23 et 24) .....	1
11	0005311	Ressort du piston .....	1	26	0270462	Ventilateur (non illustré) .....	1
12	0270548	Rondelle du piston .....	1	27	0270612	Couvercle du ventilateur (non illustré) ..	1
13	0089456	Dispositif de retenue .....	1				
14	0278359	Joint .....	1				
15	0278341	Couvercle de la pompe hydraulique .....	1				

## Español

Artículo	Pieza #	Descripción	Cantidad	Artículo	Pieza #	Descripción	Cantidad
1	0508193	Altura de la bomba .....	1	17	0047393	Anillo de retención .....	1
2	0270494	Anillo del diafragma .....	1	18	0090031	Conjunto de manguito excéntrico y rodamiento .....	1
3	0278240	Diafragma .....	1	19	0089829	Chaveta del eje .....	1
4	0288775	Válvula de control de presión .....	1	20	9900355	Tornillo de cubo .....	4
5	9801109	Tornillo sujetador .....	2	21	9921601	Arandela de presión .....	4
6	0270529	Vástago de válvula .....	1	22	0508612	Motor, 1/3 HP (incluye artículos 26 y 27) .....	1
7	0047373	Resorte regulador de presión .....	1	23	0089930	Sello .....	1
8	0089518	Junta tórica .....	1	24	0089929	Rodamiento de bolas .....	1
9	0089475	Aguja de la válvula de suministro .....	1	25	0278237	Conjunto del alojamiento hidráulico (incluye artículos 23 y 24) .....	1
10	0278339	Pistón hidráulico .....	1	26	0270462	Ventilador (no se muestra) .....	1
11	0005311	Resorte del pistón .....	1	27	0270612	Cubierta del ventilador (no se muestra) .....	1
12	0270548	Arandela del pistón .....	1				
13	0089456	Aro de tope .....	1				
14	0278359	Junta .....	1				
15	0278341	Cubierta hidráulica .....	1				
16	9800049	Tornillo .....	9				

## Cart Assembly • Chariot • Conjunto del carro (P/N 0508190)



## English

Item	Part #	Description	Quantity
1	0508381	Paint cup .....	1
2	9890104	Cap .....	2
3	0294534	Wheel spacer .....	4
4	0508517	Cart weldment .....	1
5	0507956	Roll pin .....	2
6	0270394	Wheel .....	2
7	9805230	Screw .....	1

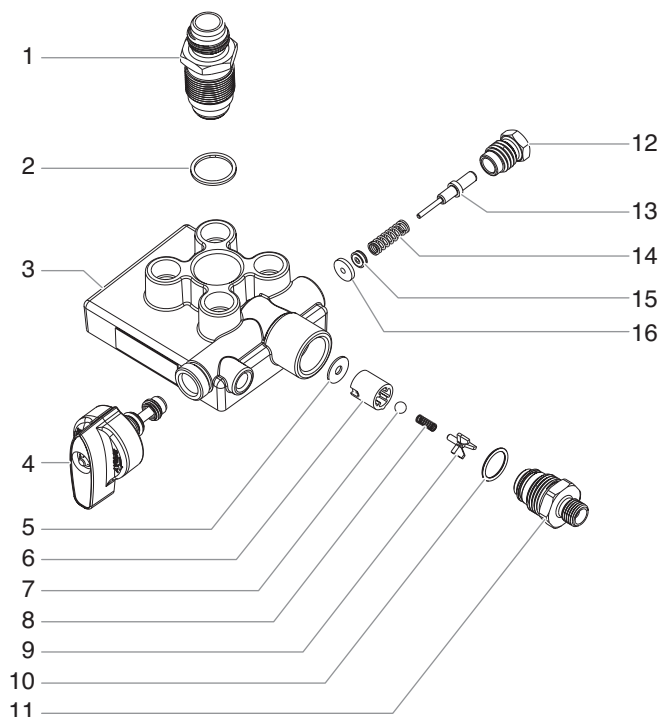
## Français

Article	N° de pièce	Description	Quantité
1	0508381	Godet à peinture .....	1
2	9890104	Bouchon .....	2
3	0294534	Entretoise de roue .....	4
4	0508517	Assemblage soudé du chariot .....	1
5	0507956	Goupille cylindrique .....	2
6	0270394	Roue .....	2
7	9805230	Vis .....	1

## Español

Artículo	Pieza #	Descripción	Cantidad
1	0508381	Vaso de la pintura .....	1
2	9890104	Tapa .....	2
3	0294534	Separador de la rueda .....	4
4	0508517	Carro formado por elementos soldados .....	1
5	0507956	Pivote de rodillo .....	2
6	0270394	Rueda .....	2
7	9805230	Tornillo .....	1

# Pump Head Assembly • Ensemble de tête de pompe • Conjunto de la altura de la bomba



## English

Item	Part #	Description	Quantity
1	0278242	Inlet valve assembly (includes item 2).....1	1
2	0089482	Sealing washer, nylon.....1	1
3	0278334	Paint pump.....1	1
4	0270951	PRIME/SPRAY valve assembly.....1	1
5	0278362	Outlet seal.....1	1
6	0278241	Ball seat.....1	1
7	0093635	Ball.....1	1
8	0047485	Outlet spring.....1	1
9	0278361	Ball guide.....1	1
10	9871114	O-ring.....1	1
11	0278335	Outlet fitting.....1	1
12	0278337	Pusher body.....1	1
13	0278250	Pusher stem assembly.....1	1
14	0278368	Pusher spring.....1	1
15	0156646	Seal.....1	1
16	0278340	Pusher washer.....1	1

## Français

Article	N° de pièce	Description	Quantité
1	0278242	Ensemble de soupape d'admission (comprend l'article 2).....1	1
2	0089482	Rondelle d'étanchéité, nylon.....1	1
3	0278334	Pompe à peinture.....1	1
4	0270951	Ensemble de soupape d'AMORÇAGE/PULVÉRISATION.....1	1
5	0278362	Joint de sortie.....1	1
6	0278241	Joint à billes.....1	1
7	0093635	Bille.....1	1
8	0047485	Ressort de sortie.....1	1
9	0278361	Guide à bille.....1	1
10	9871114	Joint torique.....1	1
11	0278335	Raccord de sortie.....1	1
12	0278337	Corps du poussoir.....1	1
13	0278250	Ensemble de tige de poussoir.....1	1
14	0278368	Ressort du poussoir.....1	1
15	0156646	Joint.....1	1
16	0278340	Rondelle de poussoir.....1	1

## Español

Artículo	Pieza #	Descripción	Cantidad
1	0278242	Conjunto de la válvula de admisión (incluye artículo 2).....1	1
2	0089482	Arandela de estanqueidad, nylon.....1	1
3	0278334	Bomba de pintura.....1	1
4	0270951	Conjunto de la válvula PRIME/SPRAY (CEBAR/PULVERIZAR).....1	1
5	0278362	Sello de salida.....1	1
6	0278241	Asiento de la bola.....1	1
7	0093635	Bola.....1	1
8	0047485	Resorte de salida.....1	1
9	0278361	Guía para la bola.....1	1
10	9871114	Junta tórica.....1	1
11	0278335	Adaptador de salida.....1	1
12	0278337	Cuerpo del impulsor.....1	1
13	0278250	Conjunto del vástago de impulsor.....1	1
14	0278368	Resorte del impulsor.....1	1
15	0156646	Sello.....1	1
16	0278340	Arandela del impulsor.....1	1

## Labels

Part #	Description
0508783	Front logo label
0508785	Side logo label
0295804	Injection warning label
0295803	Explosion warning label
0295805	Shock hazard label

## Étiquettes

Article	Description
0508783	Étiquette de logo avant
0508785	Étiquette de logo latérale
0295804	Étiquettes d'avertissement risque d'injection
0295803	Étiquettes d'avertissement risque d'explosion
0295805	Étiquette de risque de choc

## Etiquetas

Artículo	Descripción
0508783	Etiqueta frontal con el logotipo
0508785	Etiqueta lateral con el logotipo
0295804	Etiqueta de advertencia de inyección
0295803	Etiqueta de advertencia de explosión
0295805	Etiqueta de peligro de descarga eléctrica



# Notes • Nota

# Garantía limitada

## Garantía de dos años

SprayTECH, una división de Wagner Spray Tech Corporation ("SprayTECH"), garantiza este producto frente a defectos en el material y en la mano de obra durante un período de dos años a partir de la fecha de compra por parte del comprador original. Durante ese período, SprayTECH reparará o reemplazará cualquier componente defectuoso o desgastado o, a criterio de SprayTECH, reembolsará al comprador original el precio total de compra del producto cambiado por la devolución de éste. Sin embargo, SprayTECH no reemplazará ni reparará componente alguno de la bomba de fluidos por desgaste más de una vez durante el período de garantía de dos años. Esta garantía no cubre los productos consumibles tales como filtros o puntas.

## Garantía limitada en trenes de engranajes, motores eléctricos y motores de gas

SprayTECH garantiza cualquier tren de engranajes, motor eléctrico (sin incluir escobillas ni conmutadores) y motor de gas (sin incluir el embrague) en este producto **frente a defectos en el material y en la mano de obra por toda la vida del comprador original**. Si SprayTECH determina que se ha incumplido esta garantía anterior, reparará o reemplazará los componentes defectuosos sin costo o, a criterio de SprayTECH, reembolsará al comprador original el precio total de compra del producto cambiado por la devolución de éste. Garantía de por vida del diafragma.

## Reclamos de la garantía

Cualquier solicitud de reparación o reemplazo conforme a las garantías anteriores debe estar acompañada de la devolución de las piezas aplicables a un centro de servicio técnico autorizado por SprayTECH, o bien a Wagner Spray Tech Corporation, 1770 Fernbrook Lane, Minneapolis, MN 55447, con los cargos de transporte prepagados.

## Limitación de recursos

LOS RECURSOS ESTABLECIDOS ANTERIORMENTE SON LOS RECURSOS EXCLUSIVOS DISPONIBLES PARA EL INCUMPLIMIENTO DE LAS GARANTÍAS EXPRESAS E IMPLÍCITAS. No se considerará que estos recursos hayan fallado a sus propósitos esenciales mientras SprayTECH esté dispuesto a reparar o reemplazar piezas, o a reembolsar el precio de compra, según se establece anteriormente.

## Aspectos que no cubre esta garantía

Esta garantía no cubre defectos o daños causados por:

- El uso o la instalación de repuestos o accesorios que no hayan sido fabricados por SprayTECH.
- Reparaciones realizadas por cualquier persona distinta de un Centro de servicio técnico autorizado de SprayTECH o
- Abuso, uso inadecuado, negligencia, accidentes, instalaciones defectuosas o manejo que afecte la operación normal.

Esta garantía tampoco cubre equipo y accesorios suministrados a SprayTECH de parte de un fabricante de equipos originales, incluyendo entre otros, mangueras, puntas y otros accesorios. SprayTECH le proporcionará al comprador copias de las garantías expresas del fabricante de los equipos originales, proporcionadas a su vez a SprayTECH, junto con el nombre y la dirección del fabricante correspondiente.

## Limitación de recursos

EN NINGÚN CASO SprayTECH SERÁ RESPONSABLE DE DAÑO O PÉRDIDA INCIDENTAL ALGUNA, ESPECIAL O RESULTANTE, INCLUYENDO LOS COSTOS DE TRANSPORTE, SI TALES DAÑOS SE BASAN EN UN INCUMPLIMIENTO DE LAS GARANTÍAS EXPRESAS O IMPLÍCITAS, INCUMPLIMIENTO DE CONTRATO, NEGLIGENCIA, RECLAMACIÓN OBJETIVA O CUALQUIER OTRA TEORÍA LEGAL.

## Descargo de responsabilidad de las garantías implícitas

LAS GARANTÍAS ANTERIORES REEMPLAZAN A TODAS LAS OTRAS GARANTÍAS, EXPRESAS O IMPLÍCITAS, INCLUYENDO ENTRO OTRAS A LAS GARANTÍAS IMPLÍCITAS DE COMERCIALIZACIÓN Y ADECUACIÓN PARA UN PROPÓSITO EN PARTICULAR.

## Intransferibilidad

Esta garantía sólo se extiende al comprador original y es intransferible.

### Garantía de satisfacción de 30 días de SprayTECH

Si, dentro de un período de 30 días desde la fecha de compra, no está totalmente satisfecho con una unidad SprayTECH/CAPSpray, puede devolverla a cambio de un crédito total para la compra de otro producto SprayTECH o CAPSpray de igual o mayor valor.

A través del sitio Web de SprayTECH o llamando al Servicio técnico puede obtener las fichas técnicas de seguridad (MSDS, por sus siglas en inglés).

# Garantie Limitée

## Deux ans de garantie

SprayTECH, une division de Wagner Spray Tech Corporation ("SprayTECH"), garantit l'absence de tout défaut de matériaux ou de main-d'œuvre à l'acheteur initial au détail pendant 2 ans à compter de la date d'achat. Pendant cette période, SprayTECH s'engage à réparer ou à remplacer toute pièce défectueuse ou usée ou, si elle le juge opportun, à rembourser à l'acheteur initial la totalité du prix d'achat du produit en échange du retour du produit concerné. Pendant ladite période de garantie, SprayTECH ne remplacera pas et ne réparera pas plus d'une fois, une ou plusieurs pièces de la pompe endommagée(s) en raison de l'usure. La présente garantie ne s'applique pas aux produits consommables tels que les filtres et les têtes de pulvérisation.

## Garantie à vie sur les engrenages, les moteurs électriques et les moteurs à essence

SprayTECH garantit tous les engrenages, les moteurs électriques (à l'exception des balais et des commutateurs) et les moteurs à essence (à l'exception de l'embrayage) composant ce produit **contre les défauts de matériaux et de fabrication pendant toute la vie de l'acheteur initial**. Si SprayTECH détermine que la garantie en vigueur a été violée, SprayTECH s'engage à réparer ou à remplacer gratuitement les pièces défectueuses ou, si elle le juge opportun, à rembourser à l'acheteur initial la totalité du prix d'achat du produit en échange du retour du produit concerné. Garantie à vie sur le diaphragme.

## Réclamations au titre de la garantie

Toute demande de réparation ou de remplacement en vertu de la présente garantie devra être accompagnée du retour des pièces concernées, frais de transport payés d'avance, à un centre de réparation agréé par SprayTECH ou à Wagner Spray Tech Corporation, 1770 Fernbrook Lane, Minneapolis, MN 55447, États-Unis.

## Limitation des recours

LES RECOURS QUI PRÉCÈDENT SONT LES SEULS RECOURS APPLICABLES EN CAS DE VIOLATION DES GARANTIES EXPRESSES ET IMPLICITES. On ne pourra considérer que ces recours ont été insuffisants tant que SprayTECH acceptera de réparer ou de remplacer les pièces ou de rembourser le prix d'achat comme il est stipulé aux présentes.

## Ce qui n'est pas couvert par la présente garantie

La présente garantie ne s'applique pas aux défauts ou aux dommages causés par :

- l'utilisation ou l'installation de pièces réparées ou de pièces rechange ou d'accessoires non fabriqués par SprayTECH.
- les réparations réalisées par une entité autre qu'un centre de réparation agréé par SprayTECH; ou
- l'abus, une utilisation malveillante, la négligence, un accident, une installation défectueuse ou des modifications empêchant un fonctionnement normal.

Cette garantie ne couvre pas non plus les équipements et les accessoires fournis à SprayTECH par un fabricant d'équipement d'origine incluant, sans toutefois s'y limiter, les tuyaux, les têtes de pulvérisation et les accessoires. SprayTECH fournira à l'acheteur des copies des garanties expresses du fabricant d'équipement d'origine fournies à SprayTECH avec le nom et l'adresse du fabricant.

## Limitation des recours

SprayTECH NE POURRA EN AUCUN CAS ÊTRE TENUE RESPONSABLE DE TOUT DOMMAGE OU DE TOUTE PERTE DE NATURE INDIRECTE, SPÉCIALE OU CONSÉCUTIVE, INCLUANT LES FRAIS DE TRANSPORT, QUE CES PERTES OU DOMMAGES SOIENT FONDÉS SUR UNE VIOLATION DES GARANTIES EXPRESSES ET IMPLICITES, UNE RUPTURE DE CONTRAT, DE LA NÉGLIGENCE, UN DÉLIT CIVIL OU TOUTE AUTRE THÉORIE JURIDIQUE.

## Stipulation d'exonération des garanties implicites

LES GARANTIES PRÉCÉDENTES REMPLACENT TOUTE AUTRE GARANTIE EXPRESSE OU IMPLICITE INCLUANT, SANS TOUTEFOIS S'Y LIMITER, LES GARANTIES IMPLICITES DE QUALITÉ MARCHANDE ET D'APTITUDE À UN USAGE PARTICULIER

## Aucune possibilité de transfert

La présente garantie est offerte seulement à l'acheteur initial et n'est pas transférable.

### Garantie de satisfaction de 30 jours de SprayTECH

Si, dans les 30 jours suivants la date d'achat, vous n'êtes pas totalement satisfait du produit de SprayTECH/CAPSpray, vous pouvez le retourner et obtenir un crédit pour un autre produit SprayTECH ou CAPSpray de valeur égale ou supérieure.

Des fiches techniques de sécurité des produits (FTSS) sont disponibles sur le site Internet de SprayTECH ou par téléphone en vous adressant au service à la clientèle.

# Limited Warranty

## Two Year Warranty

SprayTECH, a division of Wagner Spray Tech Corporation ("SprayTECH"), warrants this product against defects in material and workmanship for a period of two years following the date of purchase by the original purchaser. During that period, SprayTECH will repair or replace any defective or worn-out component or, at SprayTECH's option, refund to the original purchaser the full purchase price for the product in exchange for the return of that product. However, SprayTECH will not replace or repair any fluid pump component on account of wear more than once during the two year warranty period. This warranty does not cover consumable products such as filters and tips.

## Lifetime Warranty on Gear Trains, Electric Motors, and Gas Engines

SprayTECH warrants any gear train, electric motor (excluding brushes and commutators) and gas engine (excluding the clutch) in this product **against defects in material and workmanship for the lifetime of the original purchaser**. If SprayTECH determines that the foregoing warranty has been breached, SprayTECH will repair or replace the defective components without charge or, at SprayTECH's option, refund to the original purchaser the full purchase price for the product in exchange for the return of that product. Lifetime warranty on the diaphragm.

## Warranty Claims

Any request for repair or replacement pursuant to the warranties above must be accompanied by the return of the applicable parts, with transportation charges prepaid, to a service center authorized by SprayTECH or to Wagner Spray Tech Corporation, 1770 Fernbrook Lane, Minneapolis, MN 55447.

## Limitation of Remedies

THE REMEDIES SET FORTH ABOVE ARE THE EXCLUSIVE REMEDIES AVAILABLE FOR BREACH OF EXPRESS AND IMPLIED WARRANTIES. These remedies shall not be deemed to have failed of their essential purpose so long as SprayTECH is willing to repair or replace parts, or to refund the purchase price, as set forth above.

## What Is Not Covered By This Warranty

This warranty does not cover defects or damages caused by:

- the use or installation of repair or replacement parts or accessories not manufactured by SprayTECH;
- repair performed by anyone other than a SprayTECH Authorized Service Center; or
- abuse, misuse, negligence, accident, faulty installation or tampering in a manner which impairs normal operation.

This warranty also does not cover equipment and accessories supplied to SprayTECH from an original equipment manufacturer, including but not limited to hoses, tips, and accessories. SprayTECH will provide the purchaser with copies of the original equipment manufacturer's express warranties provided to SprayTECH along with the name and address of the appropriate manufacturer.

## Limitation of Remedies

IN NO CASE SHALL SPRAYTECH BE LIABLE FOR ANY INCIDENTAL, SPECIAL OR CONSEQUENTIAL DAMAGES OR LOSS, INCLUDING TRANSPORTATION COSTS, WHETHER SUCH DAMAGES ARE BASED UPON A BREACH OF EXPRESS OR IMPLIED WARRANTIES, BREACH OF CONTRACT, NEGLIGENCE, STRICT TORT, OR ANY OTHER LEGAL THEORY.

## Disclaimer of Implied Warranties

THE FOREGOING WARRANTIES ARE IN LIEU OF ALL OTHER WARRANTIES, EXPRESS OR IMPLIED, INCLUDING BUT NOT LIMITED TO THE IMPLIED WARRANTIES OF MERCHANTABILITY AND FITNESS FOR A PARTICULAR PURPOSE.

## No Ability To Transfer

This warranty is extended to the original purchaser only and is not transferable.

### SprayTECH 30-Day Satisfaction Guarantee

If, within a 30-day period from the date of purchase, you are not totally satisfied with a SprayTECH/CAPSpray unit, you may return it for full credit toward another SprayTECH or CAPSpray product of equal or greater value.

Material Safety Data Sheets (MSDS) are available on SprayTECH's website or by calling Technical Service.

**CAPSpray**



1770 Fernbrook Lane  
Minneapolis, MN 55447

Technical Assistance: 1-800-292-4637

Order Entry: 1-800-443-4500

Fax: 1-800-525-9501

[www.spraytechinc.com](http://www.spraytechinc.com)